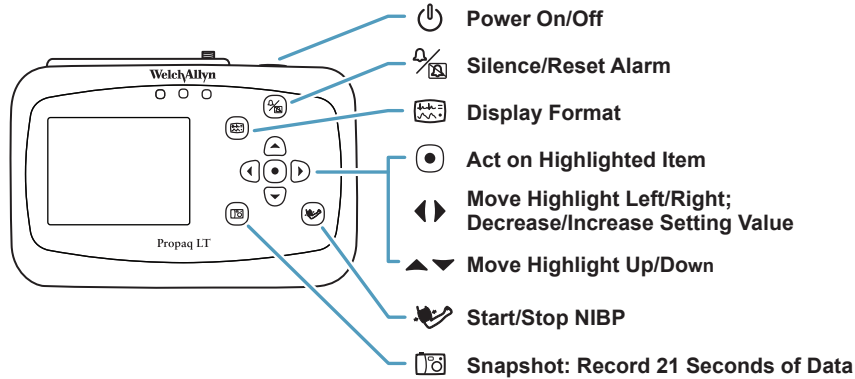


# Propaq® LT Vital Signs Monitor

## Quick Reference

Neonate  Birth through 28 days, or 44 weeks gestational  
 Pediatric  29 days through 12 years  
 Adult  13 years and older



Change Alarm Limits (select)  (select parameter) (change limits)   
 (HR/PR, NIBP, SpO<sub>2</sub>, Resp) \_\_\_\_\_

Change Alarm Tone (SpO<sub>2</sub>)  Setup  Alarms - Alarm Tone  (select)   
 (Low, Medium, High) \_\_\_\_\_

Silence/Reset Alarm Tone   
 Suspend Alarm Tones (HR/min)  Setup  Alarms - Suspend Audible Alarms   
 (select)

Change (Vital Sign) Settings (select)  (parameter)   
 (HR/PR, NIBP, SpO<sub>2</sub>, Resp) \_\_\_\_\_

Change Patient Mode Adult  (select)   
 (Adult, Pediatric, Neonate) \_\_\_\_\_

Change Lead II  (select)   
 (I, II, III, ...) \_\_\_\_\_

Set NIBP mode NIBP mmHg  NIBP Mode (select)   
 (Auto, Manual, Turbo) \_\_\_\_\_

Change Monitor Setup (NIBP)  Setup  (select)  (set values)   
 (Alarms, ECG, NIBP, ...) \_\_\_\_\_

Change time/date xx:xx:xx  (select) (change)   
 (Hour, Minute, Month, ...) \_\_\_\_\_

View Trends (NIBP)  Trends

View Snapshots (HR/min)  Snapshots