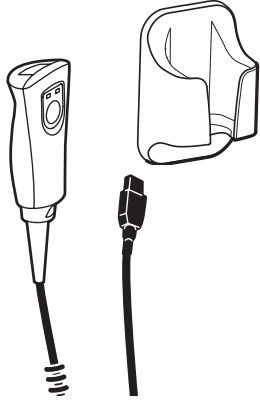
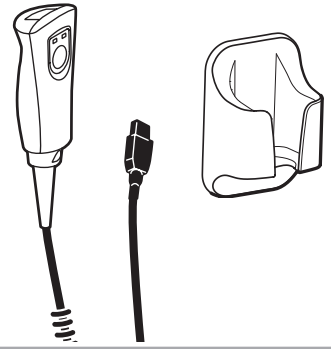


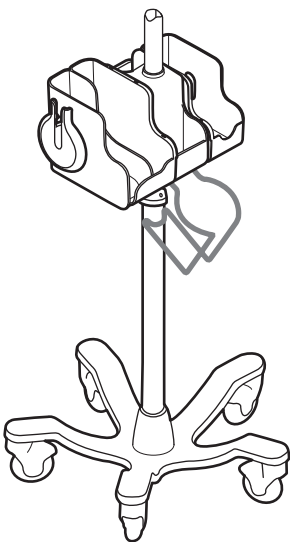
## Scanner and Holster Kit

Mat. No. 774490, 80028125 Ver. A  
 Revision date: 2021-09  
 ©2021 Welch Allyn, Inc. All rights reserved.

**hillrom.com**  
**Hillrom Technical Support** [hillrom.com/en-us/about-us/locations/](http://hillrom.com/en-us/about-us/locations/)  
 Welch Allyn, Inc. is a subsidiary of Hill-Rom Holdings, Inc.

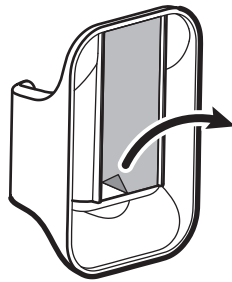


- REF 7000-916HSR
- REF 7000-916HS
- REF 6000-916HSR
- REF 6000-916HS

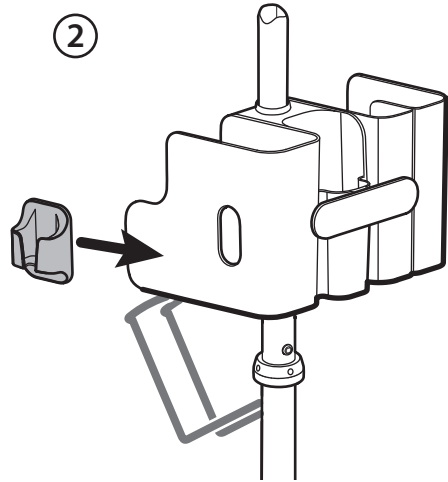


- REF 4800-60
- REF 4900-60
- REF 7000-APM
- REF 7000-MWS

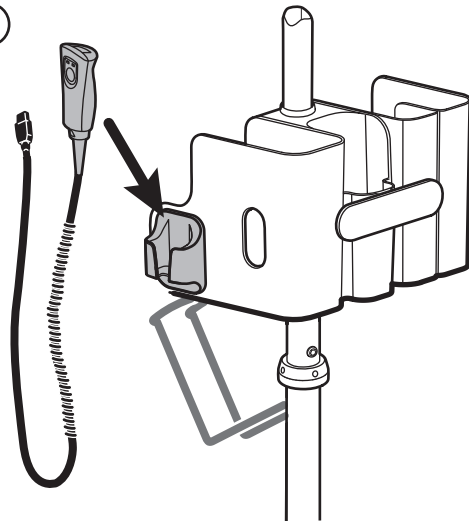
1



2



3



4

