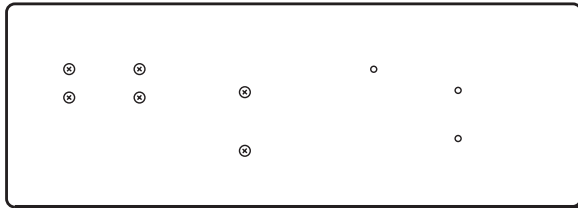


Hillrom Technical Support  
[hillrom.com/en-us/about-us/locations/](http://hillrom.com/en-us/about-us/locations/)  
 Welch Allyn, Inc. is a subsidiary of Hill-Rom Holdings, Inc.



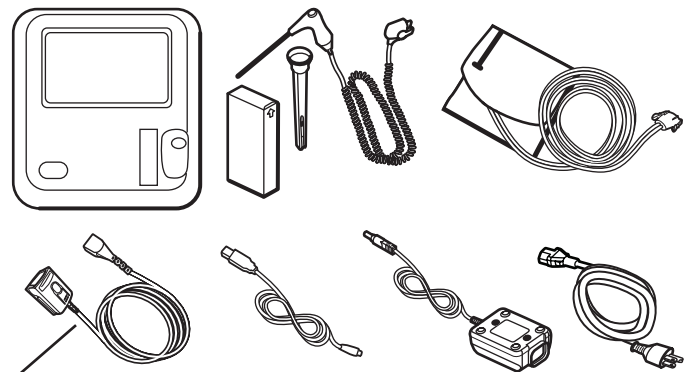
[hillrom.com](http://hillrom.com)  
 Mat. No. 750304, 80025712 Ver. B  
 Revision date: 2019-12  
 © 2019 Welch Allyn, Inc. All rights reserved.

# 77794-M4400    # 77794-2M4400

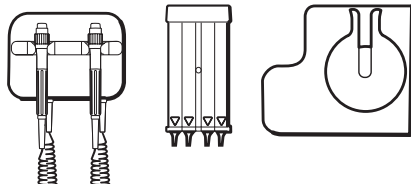


+

# 44WT    # 44XT



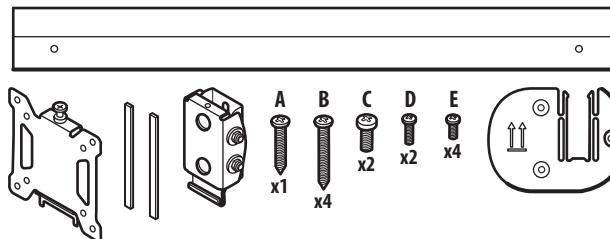
\* Only available in 44WT



### Mounting hardware inventory

Use these items to mount the wall system:

- mounting rail bracket
- accessory bin bracket
- VESA mounting bracket (2 pieces)
- self-adhesive foam strips (2 pieces)
- screws



### Tools list

Use these tools to mount the wall system:

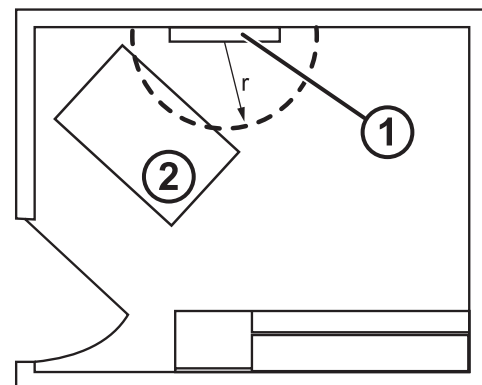
- #2 Phillips screwdriver
- level
- tape measure
- stud finder
- drill
- 1/8-inch (3.17 mm) diameter drill bit for "B" screw pilot holes

### Mounting location



**CAUTION** Before mounting the wall system, consider the following recommendations and wall system details to determine the best mounting location:

- Mount the wall system to studs.
- Mount the wall system within reach of the AC power outlet.  
The power cord is 8 ft. (2.44 m) long.
- Avoid brightly lit areas.
- Blood pressure tubing is 5 ft. (1.52 m) long.
- Position the wall system so that all instruments are accessible and in a location that allows for ergonomic examinations.

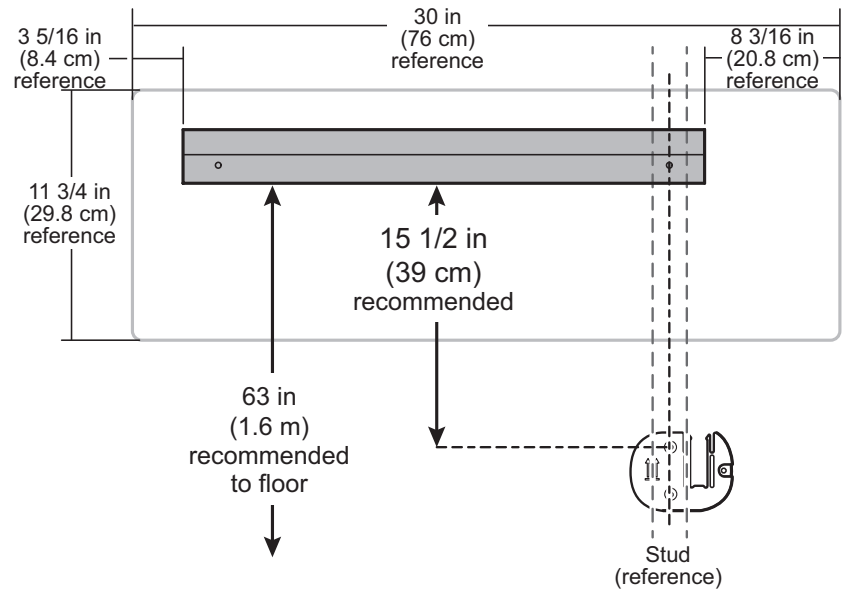
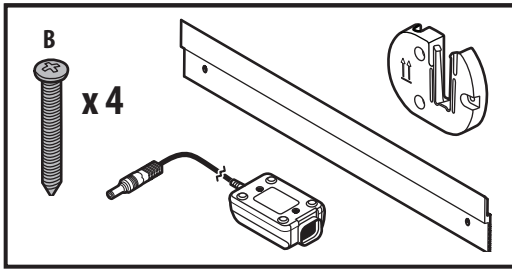


Sample room layout

1. Integrated Wall Panel
2. Examination table



**CAUTION** Welch Allyn is not responsible for the integrity of any wall mounting interface. Welch Allyn recommends that you contact your Biomedical Engineering Department or maintenance service to ensure professional installation, safety, and reliability of any mounting accessory.



**CAUTION** This drawing shows the physical relationships of the mounting brackets to each other and to the wall system after you complete the mounting instructions. To avoid personal injury or equipment damage, do not place the wall system on the wall until you have completed all preliminary steps.

## Mount the wall system

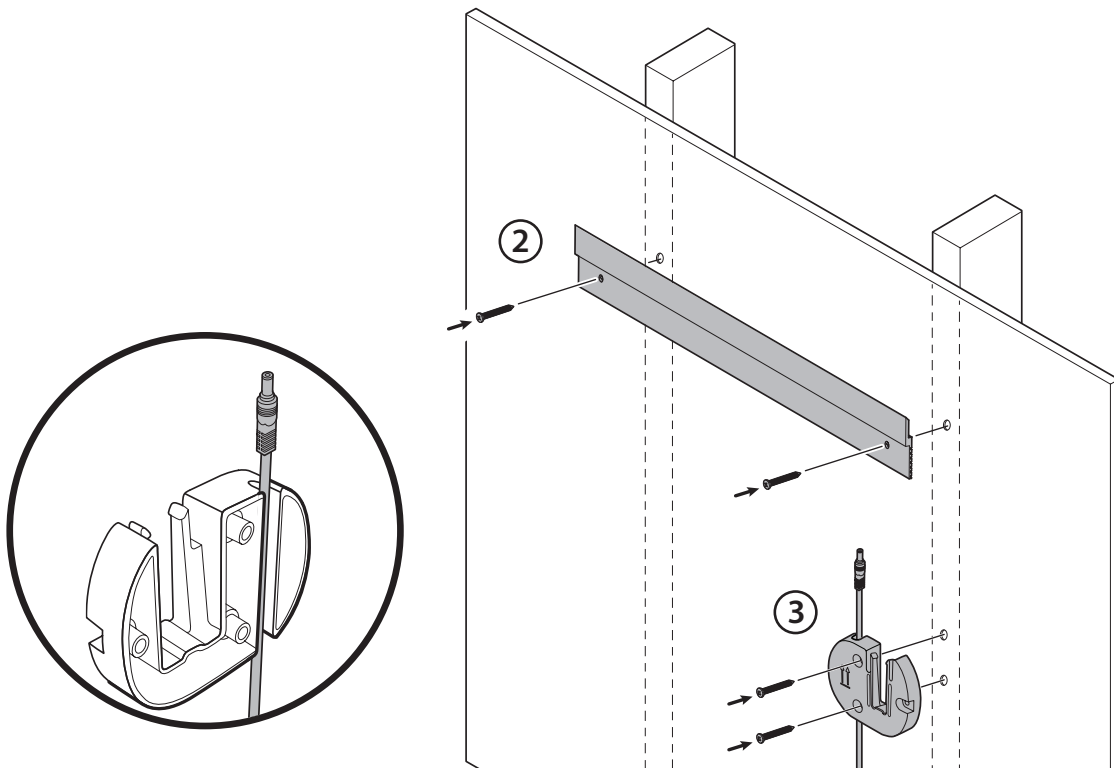
1. On the selected wall, find and mark the studs, and choose the system height and corresponding height for the mounting rail bracket.

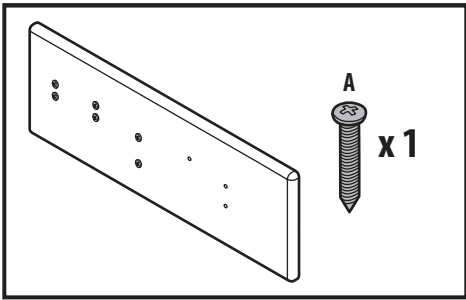
Recommendation: Place the mounting rail bracket 63 inches (1.6 m) from the floor.



**CAUTION** Ensure that the upper "lip" of the bracket sticks out from the wall and that the bracket is level.

2. Affix the mounting rail bracket to two studs at the selected height using two "B" screws.
3. Route the power cord through the channel in the back of the accessory bin bracket, then mount the bracket on the stud to the right at least 15 1/2 inches (39 cm) below the mounting rail bracket using the two remaining "B" screws.

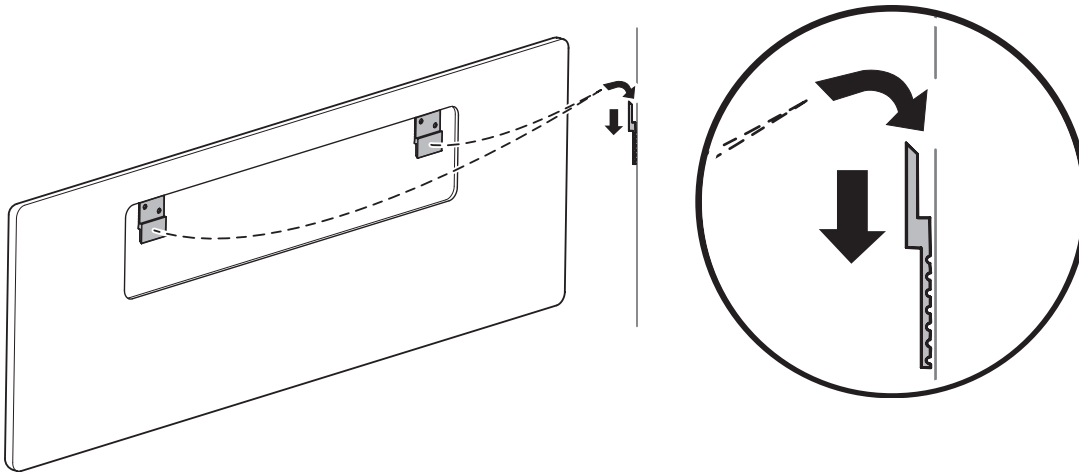




4. Hang the wall system on the mounting rail bracket.



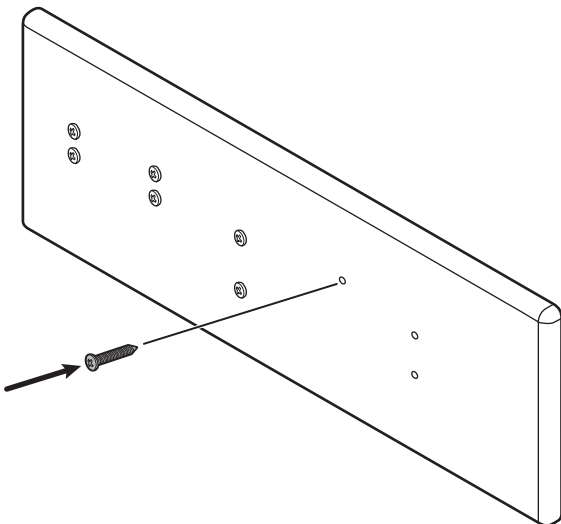
**WARNING** Ensure that the clips on the back of the wall system fully engage the mounting rail bracket. The wall system should be level and flush to the wall.

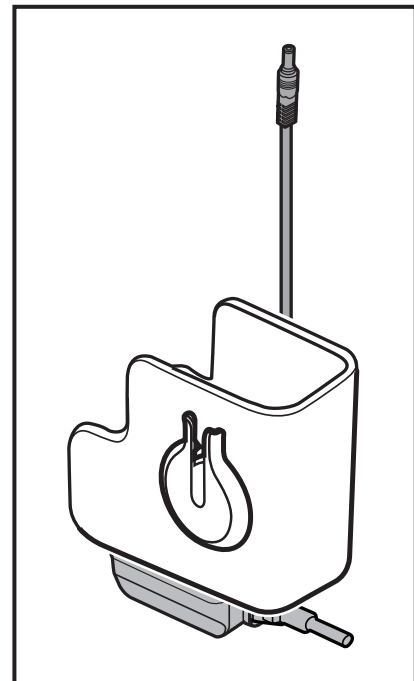
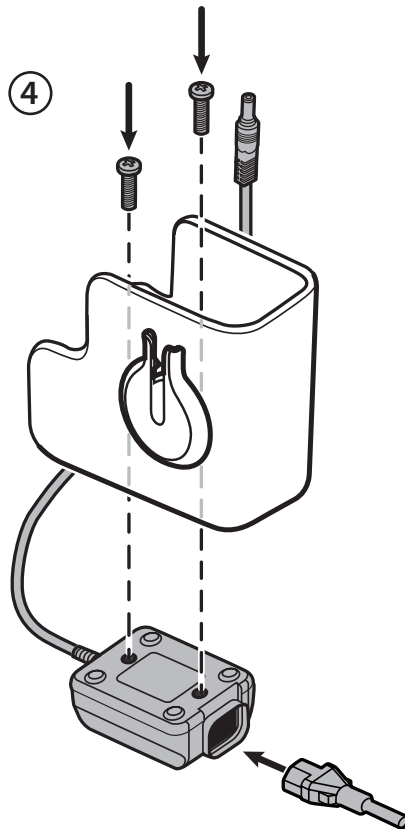
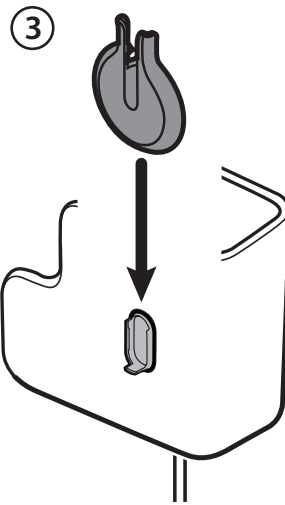
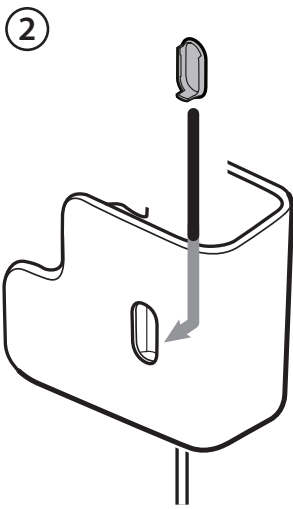
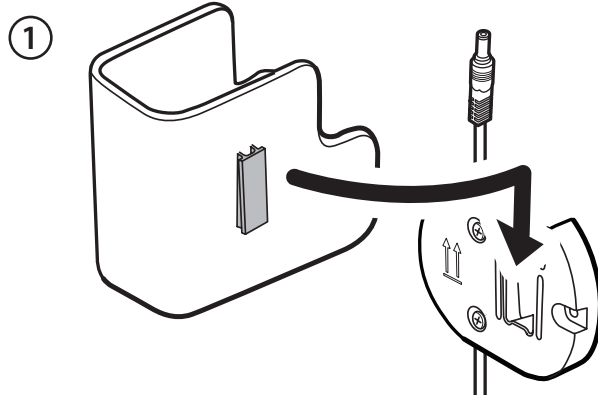
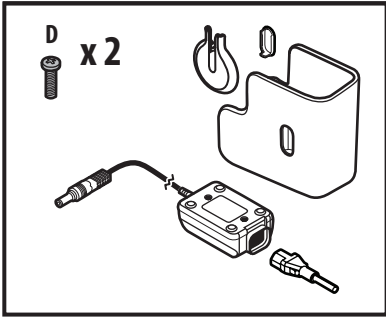


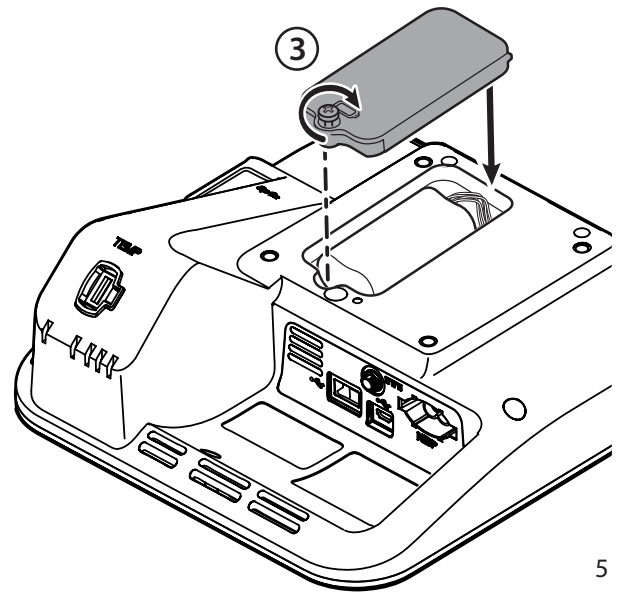
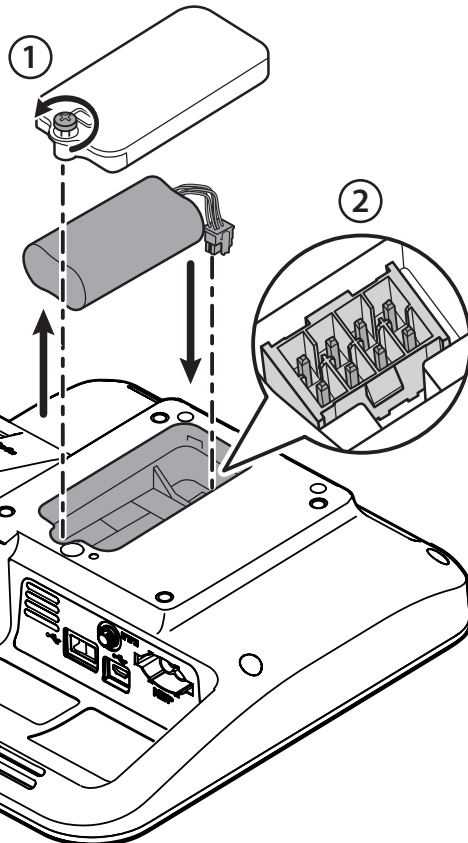
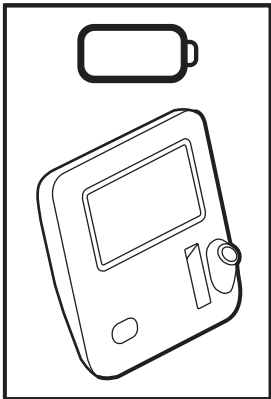
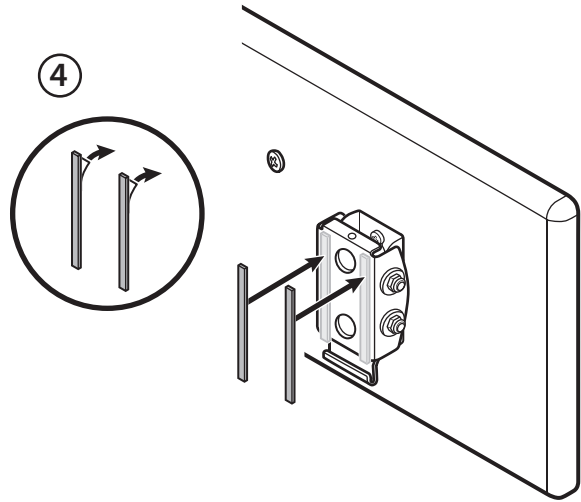
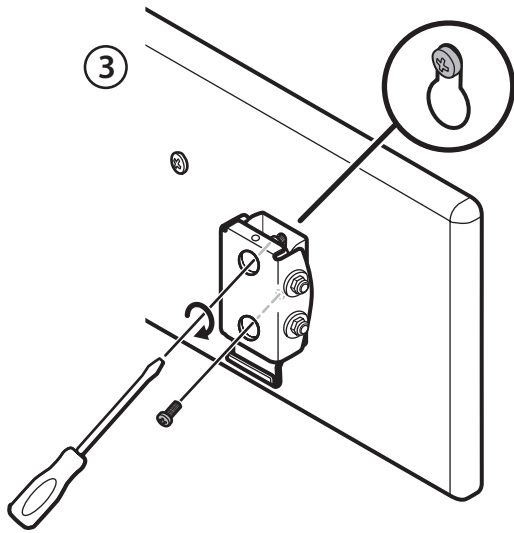
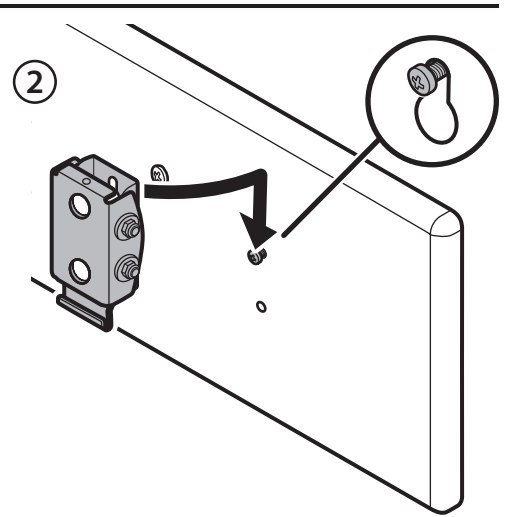
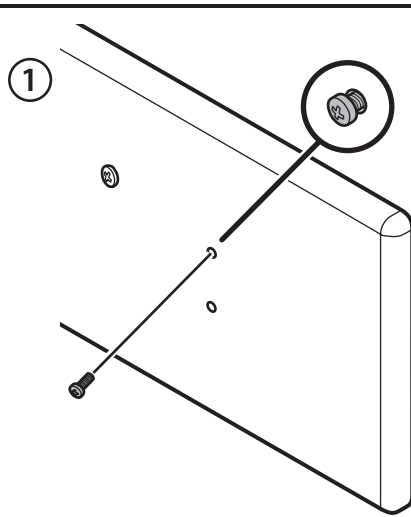
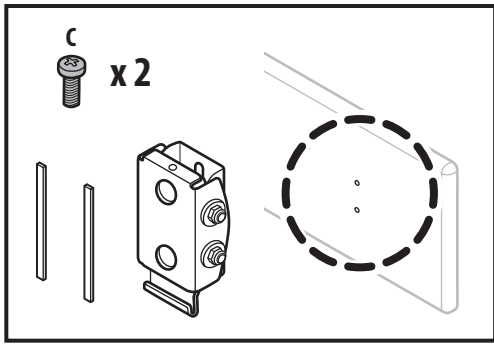
5. Secure the unit to the wall using the "A" screw.

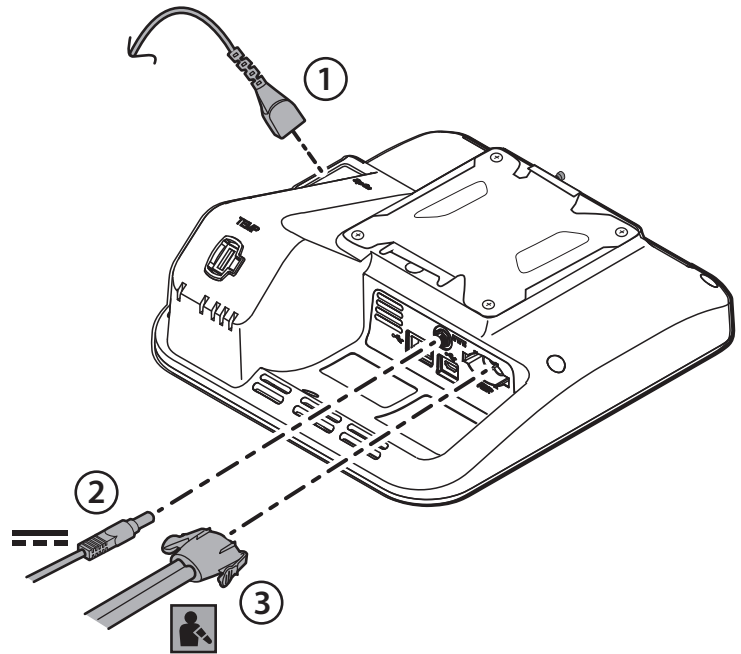
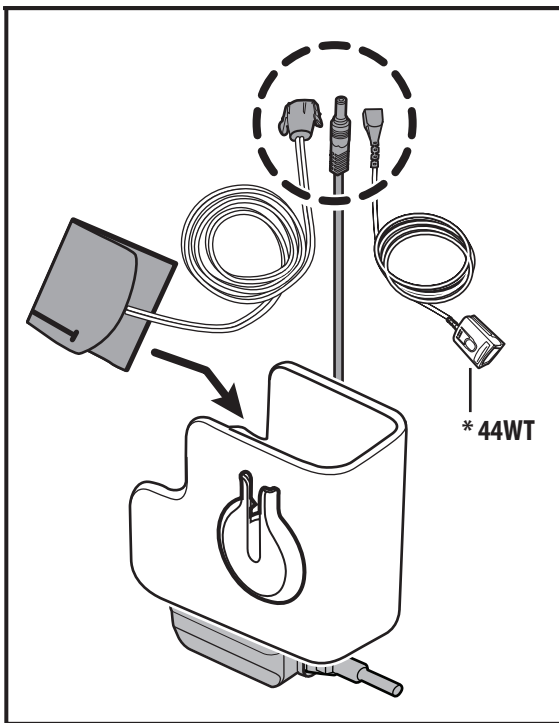
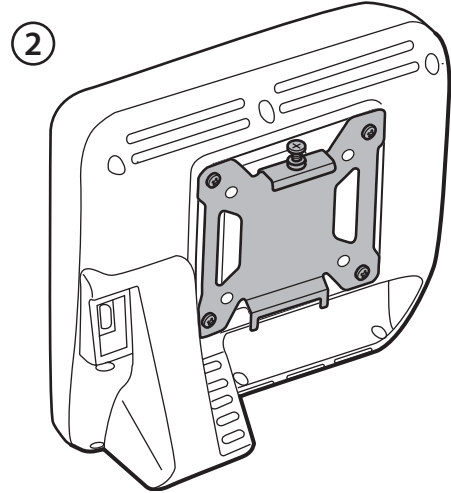
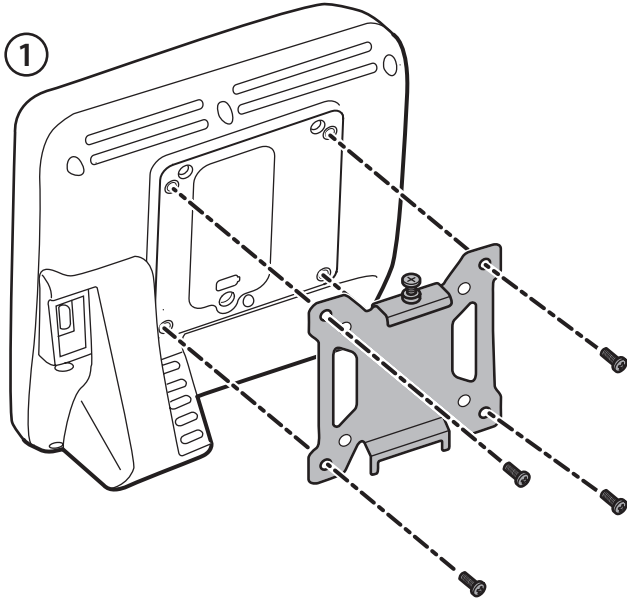
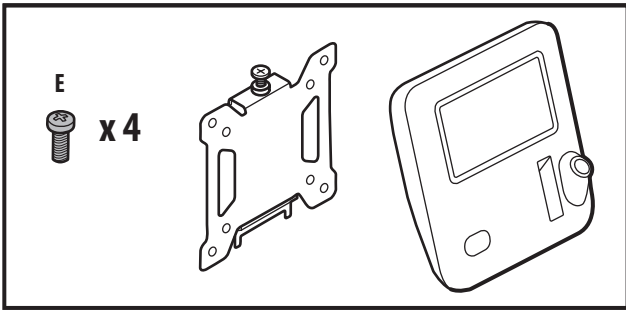


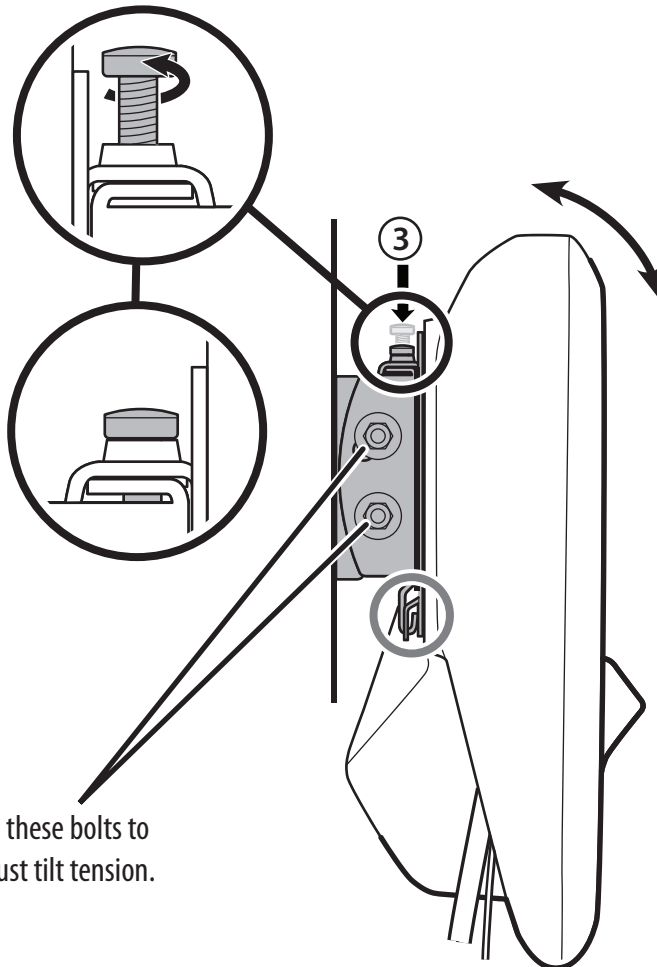
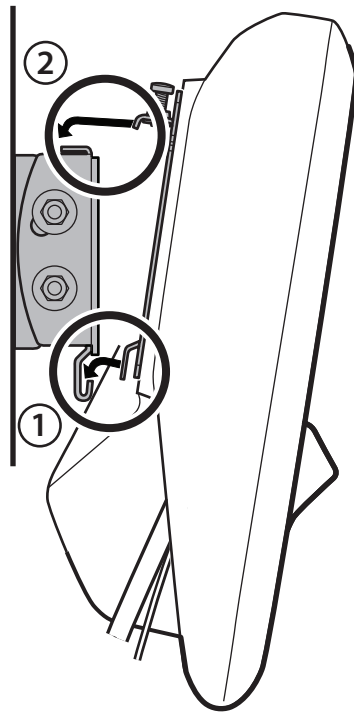
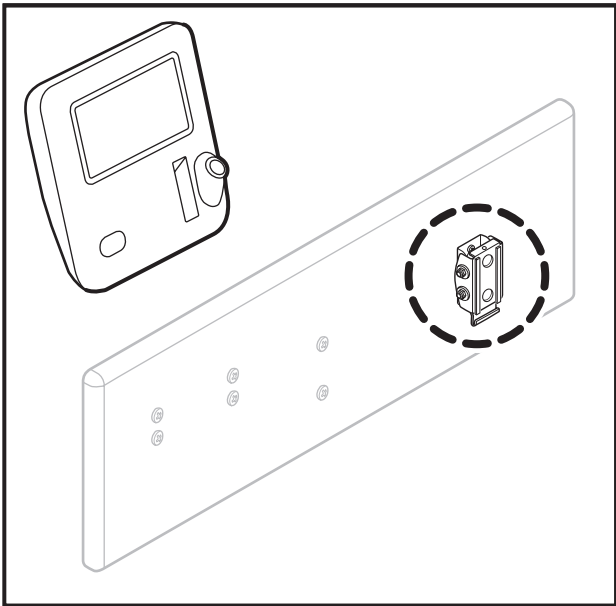
**WARNING** Failure to install this security screw may result in personal injury and equipment damage.











Use these bolts to adjust tilt tension.

SpO2 cable management

