

Scale model 5702 handrail and weighing deck installation instructions

725465

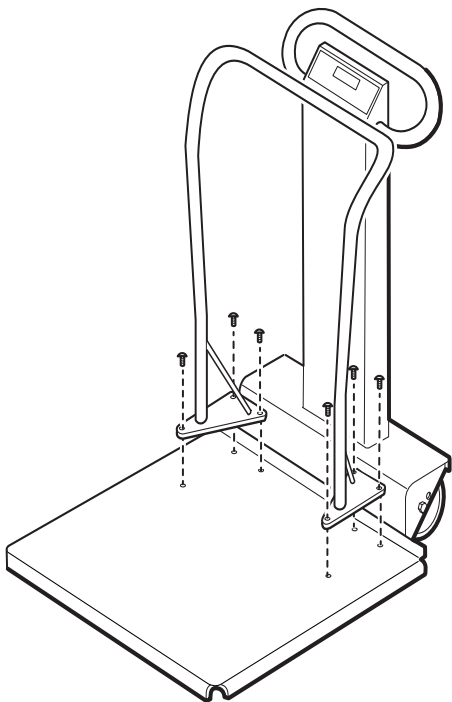
DIR 80021589 Ver. A 2016-07

© 2016 Welch Allyn, Inc.

Weighing deck mounting instructions

Install the weighing deck by following the instructions provided in the *Directions for use*. Use the four provided screws.

Handrail mounting instructions



1. Attach the handrail to the top of the weighing platform using the button head screws and the provided hex key. Three screws are required for each mounting plate (six total screws).
2. Tighten all six screws securely to ensure a safe and stable handrail.

For information about any Welch Allyn product, contact your local Welch Allyn representative at www.welchallyn.com/about/company/locations.htm.

