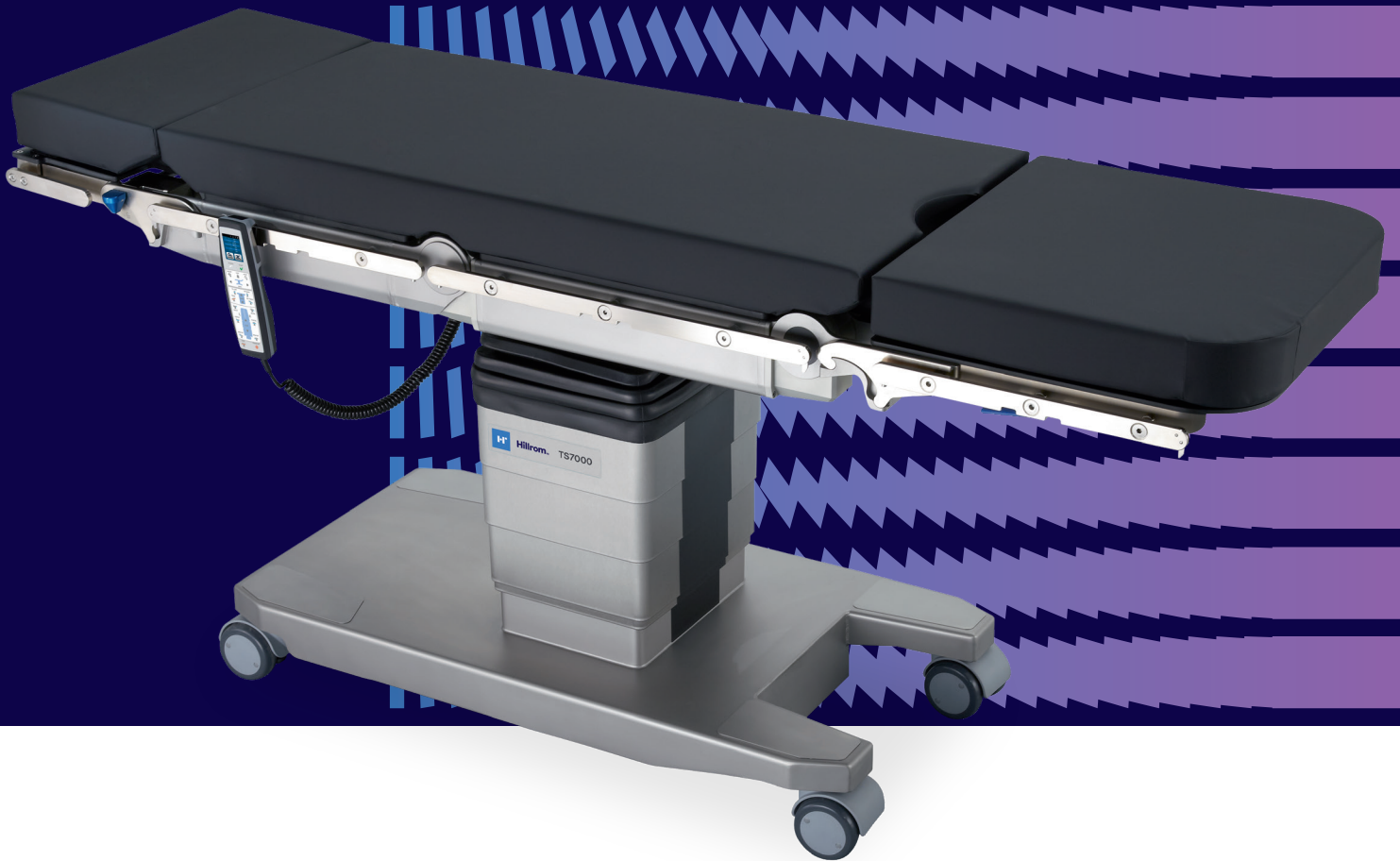




Hillrom™



TS 7000 Surgical Table

One table with unprecedented flexibility

THE NEXT BENCHMARK

DEVELOPED BY CLINICIANS FOR CLINICIANS: THE TS 7000 SURGICAL TABLE

In developing the TS 7000 Surgical Table, Hillrom knew it had to not only rely on its own experience and history of award-winning valuable innovation, but the knowledge of the true experts: the clinician.

By gathering an unprecedented amount of US clinician input, and with safety and efficiency as our underlying prerequisites, we worked to meet the needs your peers defined as most important: ease of use, reliability, flexibility and expandability. The result of this collaboration is a table that fits into current protocols, practices and standard OR workflow.

TS 7000 Surgical Table is a table that meets your surgical needs — simply and efficiently. One table, with optimum specifications that eliminates the need to make compromises in the future.

PATIENT-FOCUSED CARE

As the designer, developer and manufacturer, we share a common goal with you in providing the best possible patient care. Central to that mission is allowing you to focus your attention on your patient, not the equipment. The TS 7000 Surgical Table provides clear, intuitive functionality, unparalleled ease of use and a full range of capabilities that match your current workflows. This efficiency allows you and your team to forget the table and be more patient-focused, resulting in the safety we both demand.



Our commitment to safety is evident in the features designed into the TS 7000 Surgical Table.

Anti-collision protection in the standard configuration, the OR table top will not collide with the floor or base of the table, even in extreme Trendelenburg positions.

Intelligent sensor technology alerts the user when the table or patient is in a compromising position, reducing the risk of tipping or falling in extreme positions — ideal for bariatric patients weighing up to 1,000 lb / 450 kg.



The synchronized leveling system safely and anatomically returns all articulated components to level position — improving patient comfort easily and efficiently.

The emergency override unlocks the table in case of power interruption, allowing the patient and table to be moved quickly and safely.

EVERYTHING IS EASY

ERGONOMIC DOWN TO THE LAST DETAIL

The table is simple — it was developed to be familiar to your staff. New concepts were carefully designed to be intuitive, minimizing any learning curve. With the TS 7000 Surgical Table you can think about the patient, because we thought about the table.

LIGHTWEIGHT

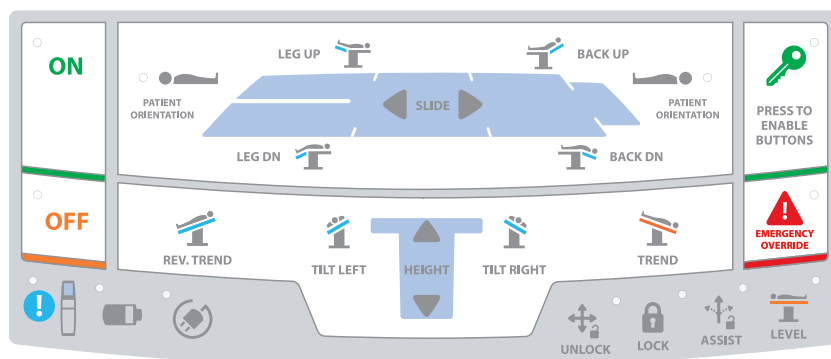
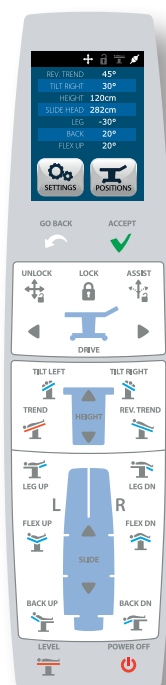
Our clinical partners told us that all removable components needed to be lighter weight. We responded with an entirely new line of OR table components that are on average 25% lighter than previous models. To make things even easier, we introduced built-in, molded carrying handles on larger components.

MOBILITY WITHOUT LIMITS

Low-friction, dual castors improve mobility and the fifth wheel allows you to maneuver the patient safely when transporting or reorienting the table for specific procedures. In addition, the fifth wheel can be self-propelled enabling you to effortlessly drive the table throughout the hospital. Once in position, advanced stabilization technology allows the user to automatically level and lock the table even on varying surfaces. In an emergency, the OR table can be unlocked quickly using the emergency override on the control panel.

USER-FRIENDLY INTERFACE

Our intuitive remote control and column control panel use the same icons, colors and shapes. They have been extensively field tested to ensure simplicity, efficiency and safety.





As awarded by the
Chicago Athenaeum:
Museum of Architecture
and Design

USER COMFORT

Enhanced user comfort is designed into typical touch points including the side rails and hand control.

SURGEON ACCESS

Our table base, designed to permit under-the-base foot access, optimizes surgical team ergonomics and provides exceptional patient access.

SAFE CONFIGURATIONS

Hillrom's Universal Coupling System is designed to ensure the correct placement of the proper components in each configuration.

IT JUST CLICKED

Attaching, replacing, and removing components just became easier with the TS 7000 Surgical Table and its award-winning component coupler. The innovative, self-aligning connect and lock system includes an oversized latch hook and its mating component. Its exterior placement gives your staff full visibility of the coupler's locked or unlocked state. In addition, an audible "click" confirms when the component is correctly and safely attached to the table.

In recognition of its outstanding design, the component coupling system received the GOOD DESIGN® Award, an international prize given for innovative product concepts.

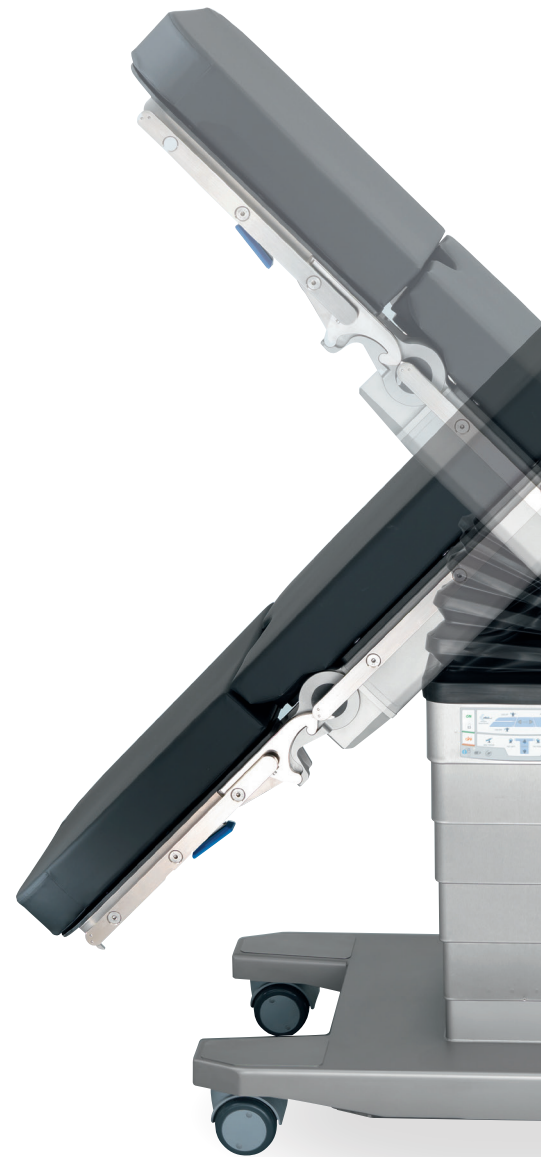


YES IS THE ANSWER

HOW FLEXIBLE AND VERSATILE IS THE TS 7000 SURGICAL TABLE?

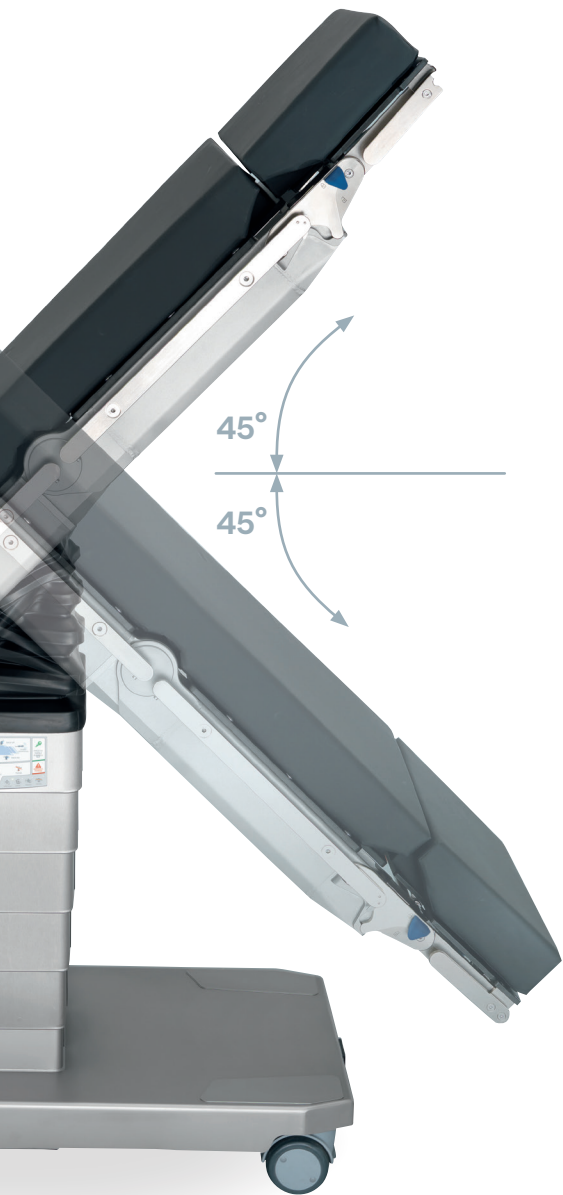
In its basic configuration, the TS 7000 Surgical Table can more than handle your typical case load. Its table top was engineered to achieve the most demanding patient positioning applications. Additionally, with its comprehensive range of components and accessories, virtually any position can be realized.

This makes the TS 7000 Surgical Table a future-proof solution — precisely tailored for our clinical partners' diverse requirements.



45"
(114 cm)

23"
(59 cm)



Efficient preoperative and postoperative positioning for lithotomy.

YOU WILL BENEFIT FROM

- Extremely low and high working positions
- 1,000 lb (450 kg) patient weight capacity
- $\pm 45^\circ$ Trendelenburg/Reverse Trendelenburg
- $\pm 30^\circ$ tilt
- 18" (46 cm) of longitudinal shift for a maximum radiolucent area
- Double-joint adjustment of headrest
- Minimal table set-up between procedures
- X-Ray channel for full body fixed imaging
- Ergonomic Y-shaped base allows for greater access during GYN and urology procedures
- Optimal docking capabilities for robot-assisted surgery
- A comprehensive range of components and accessories



Lithotomy position for gynecology and urology.



DO MORE WITH CONFIDENCE

HILLROM™ OR TABLES OFFER EXEMPLARY QUALITY AND LONGEVITY.

The TS 7000 Surgical Table expands the high-quality, durable product portfolio with even more proven reliability features. Hillrom incorporates new concepts born out of comprehensive research; collaboration with our clinical partners — and extensive field testing.

- Electromechanical operation is simple and reliable
- Virtually indestructible one piece, solid stainless steel base
- High-quality components throughout
- Impenetrable, robotic laser welded

TECHNICALLY ADVANCED, FULLY SUPPORTED

FACTS THAT SPEAK FOR THEMSELVES.

The TS 7000 Surgical Table sets a high standard of excellence.
This innovative table system complies with the technical standard by which OR tables have been judged.

TS 7000 Surgical Table Technical Specifications

Version	TS 7000 TS 7000 with motorized 5th wheel
Height adjustment	23" - 45" (59 cm - 114 cm ± 1cm)
Trendelenburg / Reverse Trendelenburg	±45°
Tilt	±30°
Zero Position	Simultaneous leveling of all sections
Longitudinal shift	18" ± 0.2" (46 cm) head side: 7" (18 cm), foot side: 11" (28 cm)
Adjustment range joint back section	+90°/-45°
Adjustment range joint leg section	+90°/-105°
Net weight	661 lb (300 kg)
Table top overall	79.3" x 23.6" (201.5 cm x 60 cm)
Patient weight capacity	1,000 lbs (450 kg)



FLEXIBLE PATIENT POSITIONING



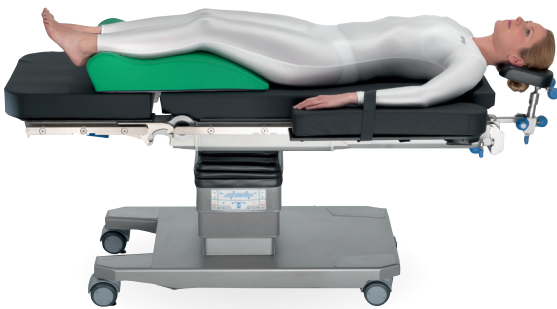
GENERAL SURGERY

Lateral position for kidney surgery.



GENERAL SURGERY

Jackknife position.



OPHTHALMOLOGY AND ENT

Ophthalmology and ENT – head rest system.



BARIATRIC SURGERY

Sleeve gastrectomy.

NEUROSURGERY



Craniotomy in the supine position.



Extended carbon fiber component for greater imaging access.



TRAUMATOLOGY AND ORTHOPEDICS

Extension unit for hip replacement, arthroscopy and femur fractures.



SPINAL SURGERY

Spinal surgery with Wilson frame.



TRAUMATOLOGY AND ORTHOPEDICS

Carbon fiber hand table for traumatological surgery to the upper extremity.



VASCULAR AND CARDIO SURGERY

Special carbon fiber segments for cardiac and vascular surgery.



Patient initiation for neurosurgery.



Properly position the patient for the procedure.



Skull clamp with 360° X-ray capability for neurosurgical applications.



Hillrom™

ABOUT HILLROM

Hillrom is a global medical technology leader whose 10,000 employees have a single purpose: enhancing outcomes for patients and their caregivers by advancing connected care. Around the world, our innovations touch over 7 million patients each day. They help enable earlier diagnosis and treatment, optimize surgical efficiency and accelerate patient recovery while simplifying clinical communication and shifting care closer to home. We make these outcomes possible through connected smart beds, patient lifts, patient assessment and monitoring technologies, caregiver collaboration tools, respiratory care devices, advanced operating room equipment and more, delivering actionable, real-time insights at the point of care. Learn more at hillrom.com.

For more information, please contact your local distributor or Hillrom sales representative at 1-800-535-6663.

hillrom.com

130 E. Randolph St. Suite 1000, Chicago, IL 60601

Hill-Rom reserves the right to make changes without notice in design, specifications and models. The only warranty Hill-Rom makes is the express written warranty extended on the sale or rental of its products.

© 2020 Hill-Rom Services, Inc. ALL RIGHTS RESERVED. APR54301 rev1 18-FEB-2020 ENG – US