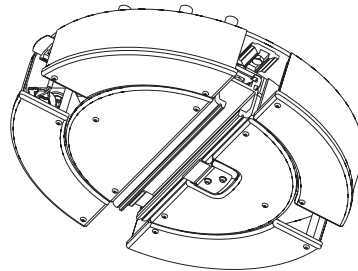


mechanical



electrical

**Applies to the following models:**

Turntable, mechanical	Prod. No. 3124625
Turntable, mechanical	Prod. No. 3124626
Turntable, electrical	Prod. No. 3124623
Turntable, electrical	Prod. No. 3124624

## Product Description

Liko's Turntable is a device for transferring a lift motor from one overhead lift system to another and is especially adapted for straight rail systems. The electrical Turntable can be operated using a Likorall lift motor equipped with a special hand control. The electrical Turntable can also be connected to an electrical outlet and be operated using a mains operated hand control. The mechanical Turntable is operated manually by pulling the cords.

**IMPORTANT!**

Read the instruction guide for both the patient lift and lifting accessories before use. Lifting and transferring a person always involves a certain level of risk. It is important to completely understand the contents of the instruction guide. The equipment should be used by trained personnel only. Please contact Liko/HillRom in the event of any uncertainties or questions.

**△ is a warning triangle used for situations which require extra care and attention.**

## Maximum Load

Different maximum loads may apply to different products on the assembled lift unit: lift, sling bar, sling and any other accessories used. For the assembled lift unit, including accessories, the maximum load is always the lowest maximum load rating for any of the components. Check the markings on the lift and lifting accessories or contact your Liko/HillRom representative if you have any questions.

## Safety Instructions

Particular care must be taken when using powerful sources of electromagnetic disturbance, such as diathermy, etc, so that, for example, diathermy cables are not positioned on or near the lift. If you have any questions, please consult the responsible assistive-device technician or the supplier.

**△ Liko transfer systems must always be installed by personnel authorised by Liko/HillRom and in accordance with the applicable installation instructions.**

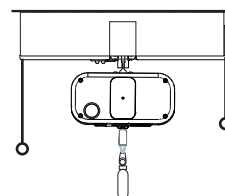
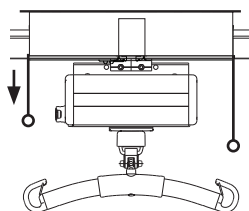
**△ Using lifting accessories other than those approved can entail a risk.**

## Operation

Always position the Likorall lift motor at the centre of the Turntable before transfer to another system.

**Turntable, mechanical**

For rotation 90°: pull the shortest cord.



**Turntable, electrical**

For rotation 90°: press the hand control Ⓢ or Ⓣ - button.



## Recommended Accessories

Hand control HB41 (only turntable electrical)

Prod. No. 3124650



Control box CB08 EU (only turntable electrical)

Prod. No. 3124655

Control box CB08 UK (only turntable electrical)

Prod. No. 3124656

Control box CB08 US (only turntable electrical)

Prod. No. 3124657



# Technical Data

Prod. No. 3124623 - 3124626 (only in combination with Liko H-70 rail)

## Dimensions:

- A:** 440 mm (17.3 inch.)
- B:** 390 mm (15.4 inch.)
- C:** 105 mm (4.1 inch.)
- D:** 300 mm (11.8 inch.)
- E:** 70 mm (2.8 inch.)
- F:** 400 mm (15.7 inch.) (mechanical)
- G:** 650 mm (25.6 inch.) (mechanical)

**Built-in dimension, H1:** 90 mm (3.5 inch.)

**Built-in dimension, H2:** 94 mm (3.7 inch.)

\*(incl. removeable sleeves)

**Weight:** 14.6 kg (32.2 lbs)

**Max. load:** 250 kg (550 lbs)

**Material:** Steel, plastic

**IP-class:** 51 (electrical)



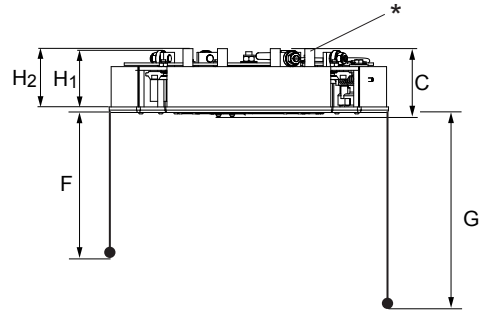
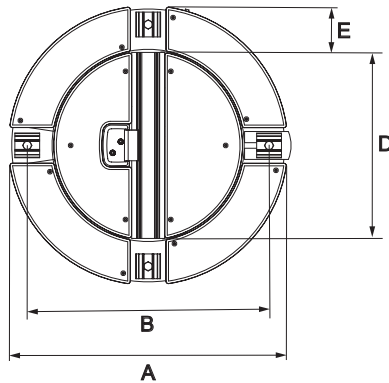
The device is intended for indoor use.



Type B, in accordance with the electrical shock protection class.



Class II equipment.



## Inspection and Maintenance

When necessary, clean the product with a moist cloth using common surface cleaners or disinfectants. **NOTE! Do not use cleaning agents that contain phenol or chlorine, since these can damage plastic materials.**

### Service

Liko's transfer system should be periodically inspected at least once a year.

△ Periodic inspection, repair and maintenance should be performed only in accordance with the Liko Service Manual and by personnel authorized by Liko/HillRom and using original Liko spare parts.

### Service Agreement

Liko/HillRom offers the opportunity to enter into service contracts for the maintenance and periodic inspection of your Liko products.

### Expected Service Life

The product has an expected life time of 10 years when correctly handled, serviced and inspected in accordance with Liko's instructions.

### Transport and Storage

The environment in which the product is transported and stored should have a temperature of 10–40 °C and a relative humidity of 30–75 %. The air pressure should be 700–1060 hPa.

### Recycling

For instructions on how to recycle your Liko product, please visit the Liko website: [www.liko.com](http://www.liko.com).

### Product Changes

Liko's products undergo continuous development, which is why we reserve the right to make product changes without prior notice. Contact your Liko/HillRom representative for advice and information about product upgrades.

### Design and Quality by Liko in Sweden

Liko is quality-certified in accordance with ISO 9001 and its equivalent for the medical device industry, ISO 13485. Liko is also certified in accordance with environmental standard ISO 14001.



A  Company

[www.liko.com](http://www.liko.com)

### Manufacturer:

Liko AB  
SE-975 92 Luleå  
Sweden  
[info@liko.se](mailto:info@liko.se)