

## Installation Guide

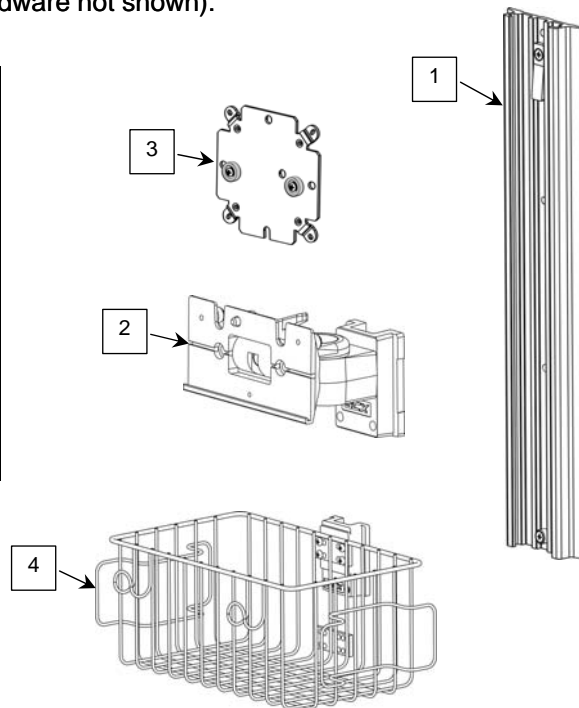
### M-Series Flush Wall Mount Kit for Welch Allyn® 1500 Patient Monitor

The purpose of this installation guide is to describe installation of the Flush Mount Kit.

#### Parts Reference

The following parts and hardware are included with this installation kit (hardware not shown):

Item #	Description	Qty
1	Wall Channel, 19" with Hardware and Instructions	1
2	M-Series Flush Mount with Drop-on Mounting Plate	1
3	Mounting Adapter	1
4	Utility Basket with Hooks	1
5	M4 x 8mm Pan Head Machine Screw (PHMS)	4
6	Wall Channel Cover with Instructions (not shown)	1
7	Adjustable Stop (not shown)	1
8	5/32" Hex Wrench	1
9	1/8" Hex Wrench	1



#### Tools Required:

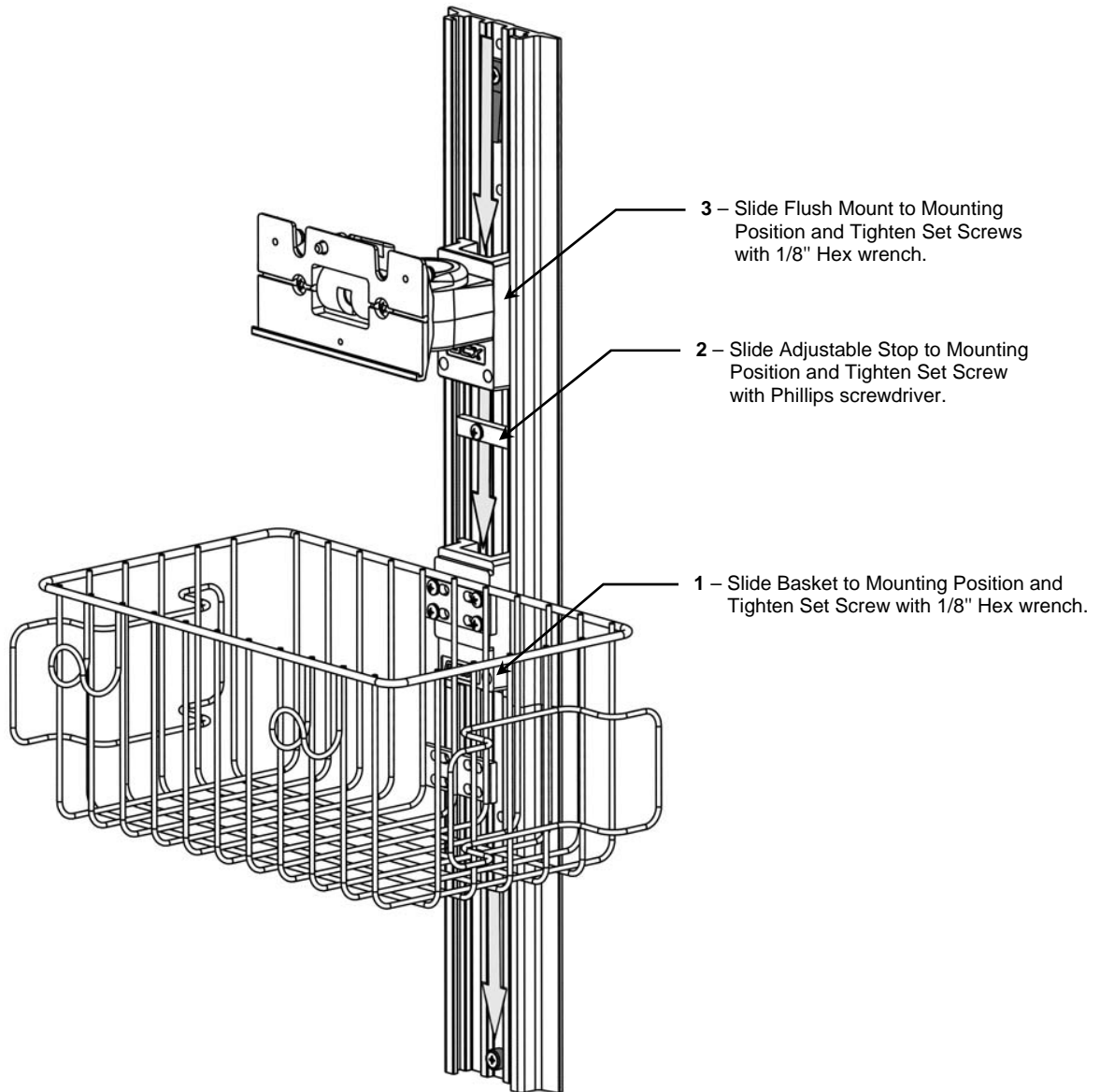
- Phillips screwdriver (not provided).
- 5/32" and 1/8" hex wrenches (provided).
- 1/2" (13mm) Socket wrench (not provided).

#### Installing the Wall Channel

Install Wall Channel in accordance with separate *GCX Wall Channel Installation Instructions (DU-WC-0002)* included in this kit.

## Mounting the Basket and Flush Mount

1. Install the Basket by inserting Slide (rear of Basket) into top of Channel and sliding Basket to desired mounting position. Using the 1/8" hex wrench provided, tighten the set screw in the bottom right corner of the Slide.
2. Slide Adjustable Stop to desired location and tighten with Phillips screwdriver.
3. Install Flush Mount by guiding Slide (rear of Flush Mount) into top of Channel. Slide Flush Mount to desired position in channel and tighten two (2) set screws (bottom of Slide) using the 1/8" hex wrench.



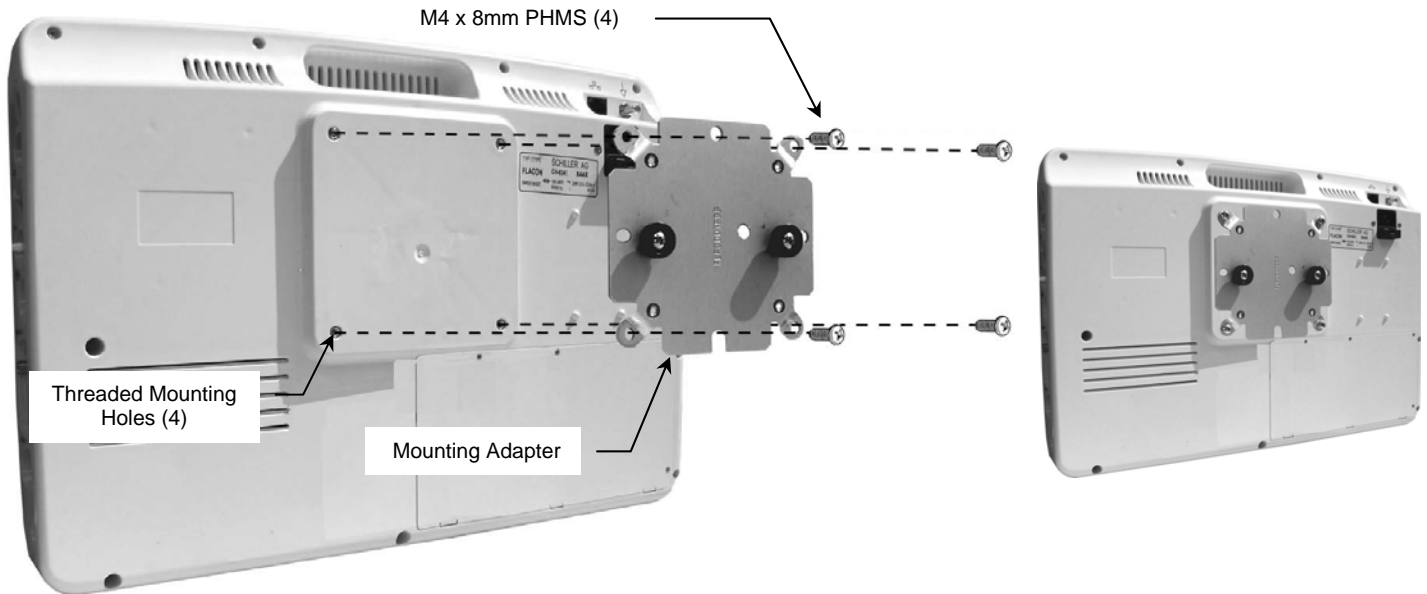
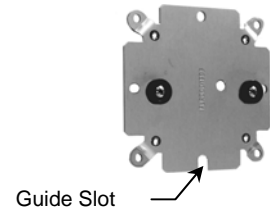
## Installing the Wall Channel Cover

Install the Wall Channel Cover in accordance with the *Channel Cover Installation Guide (DU-UT-0001-20)* included in this kit.

## Attaching Mounting Adapter to Monitor

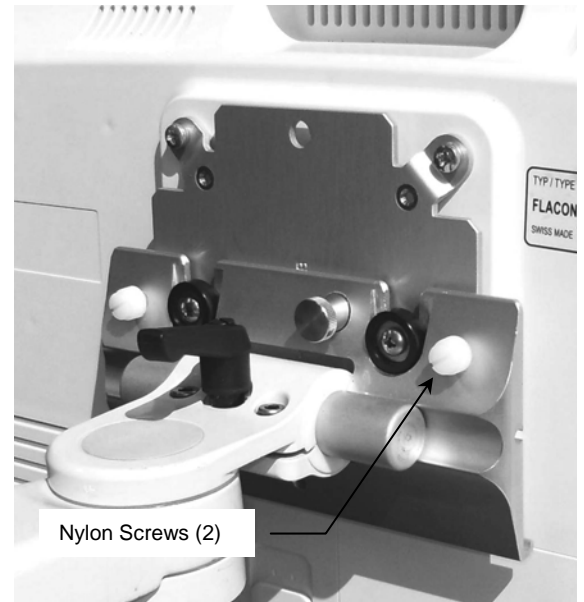
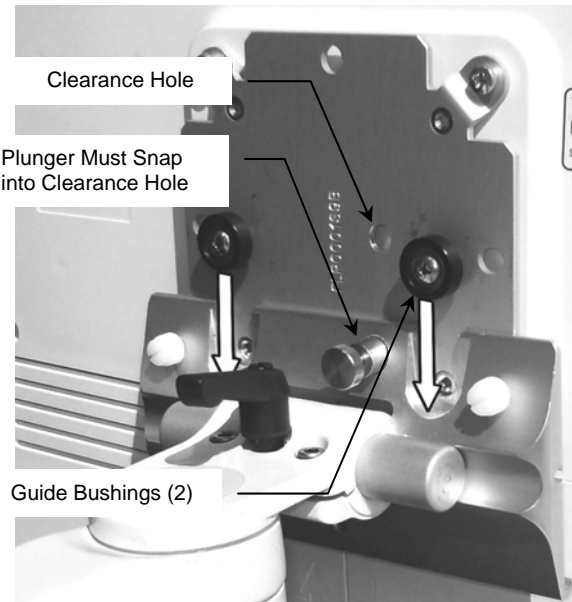
**Installation Note:** When Installing Mounting Adapter, Guide Slot must be positioned down.

1. Using a Phillips screwdriver, fasten Mounting Adapter to the four (4) threaded mounting holes on the back of the Monitor with four (4) M4 x 8mm PHMS (below left).



## Mounting the Monitor

1. Lower Monitor with Mounting Adapter onto Mounting Plate by guiding the two (2) Guide Bushings into slots in Mounting Plate (below left). Plunger must snap into clearance hole to secure the monitor. Tighten by hand the two (2) Nylon screws to further secure the Monitor (below right). To remove Monitor, pull Plunger and lift.

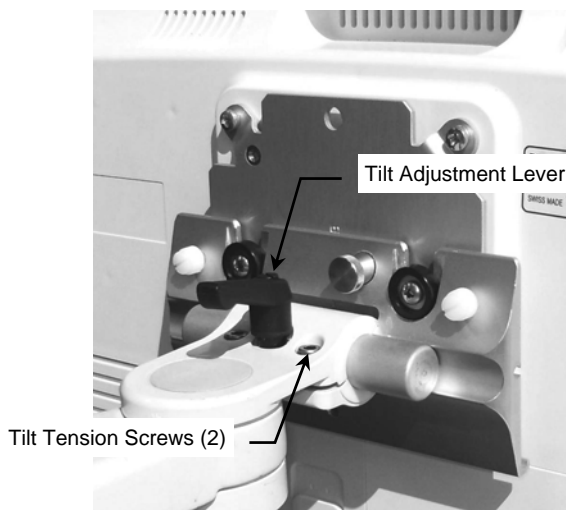


## Adjusting Tilt and Tilt Tension

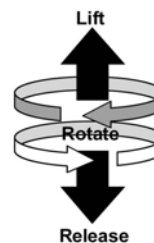
**Installation Note** Lever provides ratchet-style adjustment (see below). Lift and rotate lever to desired position and release, then loosen or tighten.

**Tilt Adjustment:** Turn Tilt Adjustment Lever counter clockwise to loosen. Grasp the top and/or bottom of the device and tilt to the desired angle. Turn Tilt Adjustment Lever clockwise (using ratchet feature as desired) to tighten and lock position.

**Tilt Tension:** Adjust the overall tilting tension by equally tightening or loosening two (2) Tilt Tension Screws with the 5/32" hex wrench provided. Once the overall tilt tension is set, use the Tilt Adjustment Lever to fine tune and lock the tilt position.



**Installation Note:** The Tilt Adjustment Lever is a multi-position clamping lever that operates by lifting, rotating, and releasing the handle.

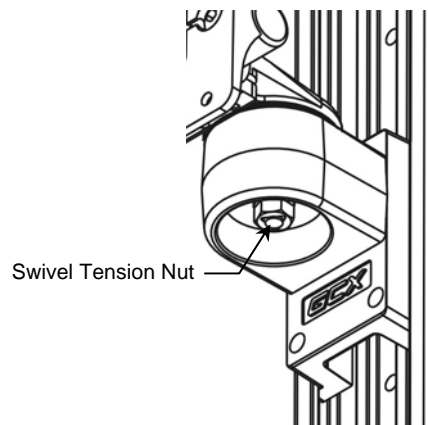


## Swiveling the Monitor

Grasp sides of monitor and swivel to desired position.

## Adjusting Swivel Tension

Tighten or loosen Swivel Tension Nut (right) using a 1/2" [13 mm] socket wrench.



## Periodic Maintenance

All fasteners associated with the mounting system should be inspected periodically and tightened as necessary.

## Cleaning the Mounting Assembly

1. The mounting assembly may be cleaned with most mild, non-abrasive solutions commonly used in the hospital environment (e.g. diluted bleach, ammonia, or alcohol solutions).
2. The surface finish will be permanently damaged by strong chemicals and solvents such as acetone or trichloroethylene.
3. Steel wool or other abrasive material should never be used.
4. Damage caused by the use of unapproved substances or processes will not be warranted. We recommend testing of any cleaning solution on a small area of the arm that is not visible to verify compatibility.
5. Never submerge or allow liquids to enter the mounting assembly. Wipe any cleaning agents off the mounting assembly immediately using a water-dampened cloth. Dry the mounting assembly thoroughly after cleaning.

**CAUTION:** GCX makes no claims regarding the efficacy of the listed chemicals or processes as a means for controlling infection. Consult your hospital's infection control officer or epidemiologist. To clean or sterilize mounted devices or accessory equipment, refer to the specific instructions delivered with those products.