

Subject: ImageMakers™ Visitor Chair (P92125, P92126, P93125, and P93126) Seat Bracket Installation Instructions

Introduction

This document provides instructions for installing brackets on the seat section of the ImageMakers™ Visitor Chair (P92125, P92126, P93125, and P93126). Prior to performing this procedure, read and understand all of the instructions provided.

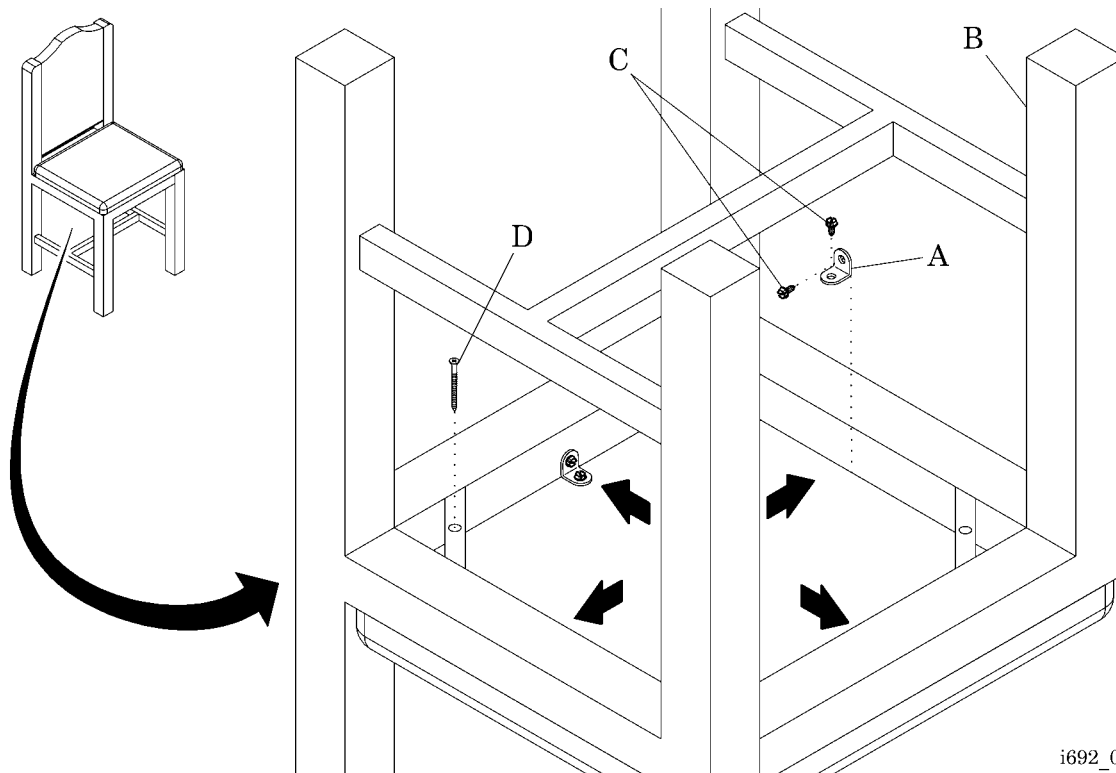
Tools required: Phillips head screwdriver

Parts required:	(4)	70574	Mounting bracket
	(8)	10595	Screw

Bracket Installation

1. Place the chair upside down on a flat surface.
2. Position one bracket (A) midway between the chair legs (B) on one side of the chair (see figure 1 on page 1).
3. Install the two screws (C), securing the bracket (A) to the chair and seat section.
4. Repeat steps 2 and 3 for the other three sides.
5. Remove and discard the four screws (D) previously used to secure the seat section to the chair.

Figure 1. Bracket Installation



i692_001

NOTES:
