

Subject: P375 ImageMakers™ Sleeper Chair Roller/Track Kit Installation Instructions

Introduction

This sheet provides instructions for changing the retro wheels and roller ramps on the P375 ImageMakers™ Sleeper Chair. Before starting, read and understand all of the instructions for the parts being installed.

Tools required:	Ratchet	Drill
	5 mm hex head socket bit	1/8" drill bit
	Phillips head socket bit	Pliers or vise grips
	Safety goggles	8 mm x 1.25 mm tap
Parts required:	(2) 68887	Retro wheel
	(2) 69289	Roller ramp
	(6) 3679	Screw (spares if required)

Wheel Replacement

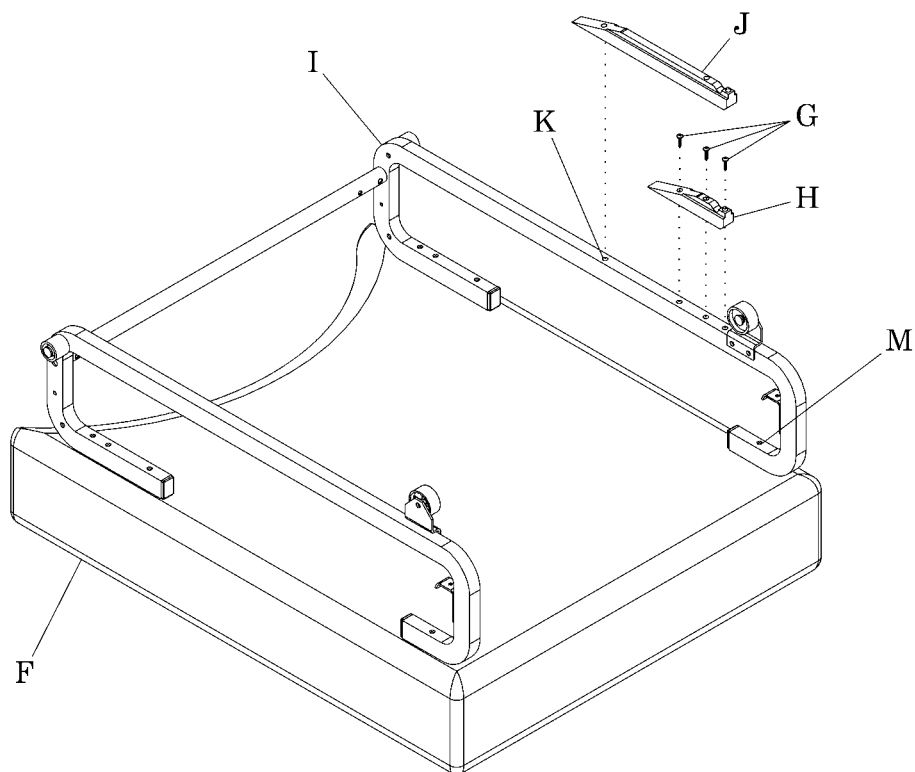
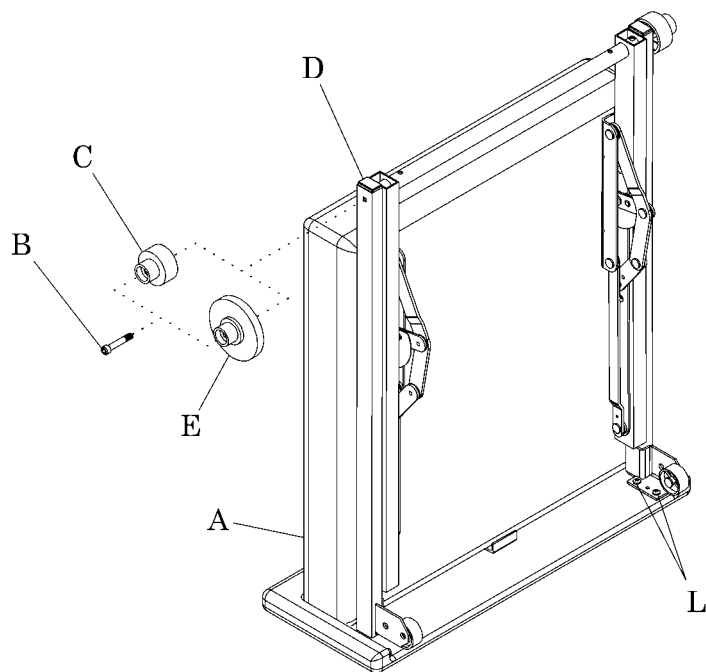
1. Set the brake on the front casters.
2. Pull out the foot and seat section half way.
3. Raise the seat section to the vertical position.
4. Turn the foot section (A) on its side, and remove it from the chair.
5. Place the foot section (A) on the floor with the vinyl side down.
6. Remove the shoulder bolt (B) securing one of the old retro wheels (C) to the foot section frame (D) (see figure 1 on page 2).
7. Remove and discard the old retro wheel (C).
8. Using the shoulder bolt (B) removed in step 6, install the new retro wheel (E) onto the foot section frame (D).

NOTE:

The tap can be used to recut the threads in the hole if needed.

9. Repeat step 6 through step 8 for the other retro wheel.
10. Ensure the four screws (L) securing the foot section cushion to the foot section frame are tight.

Figure 1. Wheel and Roller Ramp



i614_001

Roller Ramp Replacement

1. Remove the seat section (F) from the chair.
2. Place the seat section (F) on the floor with the vinyl side down.
3. Remove the three screws (G) securing the old roller ramp (H) to the foot section frame (I).
4. Remove and discard the old roller ramp (H).
5. Install the new roller ramp (J) onto the foot section frame (I).
6. Secure the new roller ramp (J) to the foot section frame with one screw (G) at the end of the new roller ramp (J).
7. Align the new roller ramp (J) with the foot section frame (I).



WARNING:

Always wear safety goggles when drilling holes. Drilling can cause airborne metal chips. Failure to wear safety goggles can cause personal injury.

8. Put on the safety goggles.
9. Using the drill and 1/8" drill bit, drill a hole (K) through the end hole in the new roller ramp (J) into the foot section frame (I).
10. Install a screw (G) into the hole drilled in step 9.
11. Install the remaining screw (G) into the middle hole in the new roller ramp (J).
12. Repeat step 3 through step 10 for the other ramp.
13. Ensure the six screws (M) securing the seat section cushion to the seat section frame are tight.

Cleanup

1. Install the seat section into the chair.
2. Place the seat section in the vertical position.
3. Install the foot section into the seat section frame.
4. Lower the seat section to the horizontal position.
5. Open and close the chair several times to ensure proper operation.

NOTES:
