

**Subject: EpiCare® Manual Telescoping Ceiling Column (P680CTL) and
EpiCare® Powered Telescoping Ceiling Column (P680CPT)—
Instructions for Installing a Medical Gas Demand Valve Adapter**

Tools required:	11/16" open end wrench	7/8" open end wrench
	Phillips head screwdriver	1/16" Allen™ ¹ wrench
	1" open end wrench	Ladder
	Pressure gauge	Flow gauge
Parts required:	(1) 126796	Demand valve adapter, oxygen
	(1) 126795	Demand valve adapter, air
	(1) 126794	Demand valve adapter, nitrogen
	(1) 126793	Demand valve adapter, nitrous oxide
	(1) 126792	Demand valve adapter, carbon dioxide

NOTE:

Vacuum or Waste Anesthetic Gas Disposal (WAGD) gas risers do **not** require demand valve adapters.

Related Documents: [EpiCare® Ceiling Column Service Manual \(man134\)](#)



WARNING:

Only facility-authorized personnel with medical pipeline experience should service the EpiCare® Ceiling Column. Servicing by unauthorized personnel could result in personal injury or equipment damage.



WARNING:

The medical gas services to the EpiCare®² Ceiling Column may also supply gas to adjacent patient gas services. Before turning off medical gas service, make sure no patients will be affected. Failure to do so could result in patient injury.

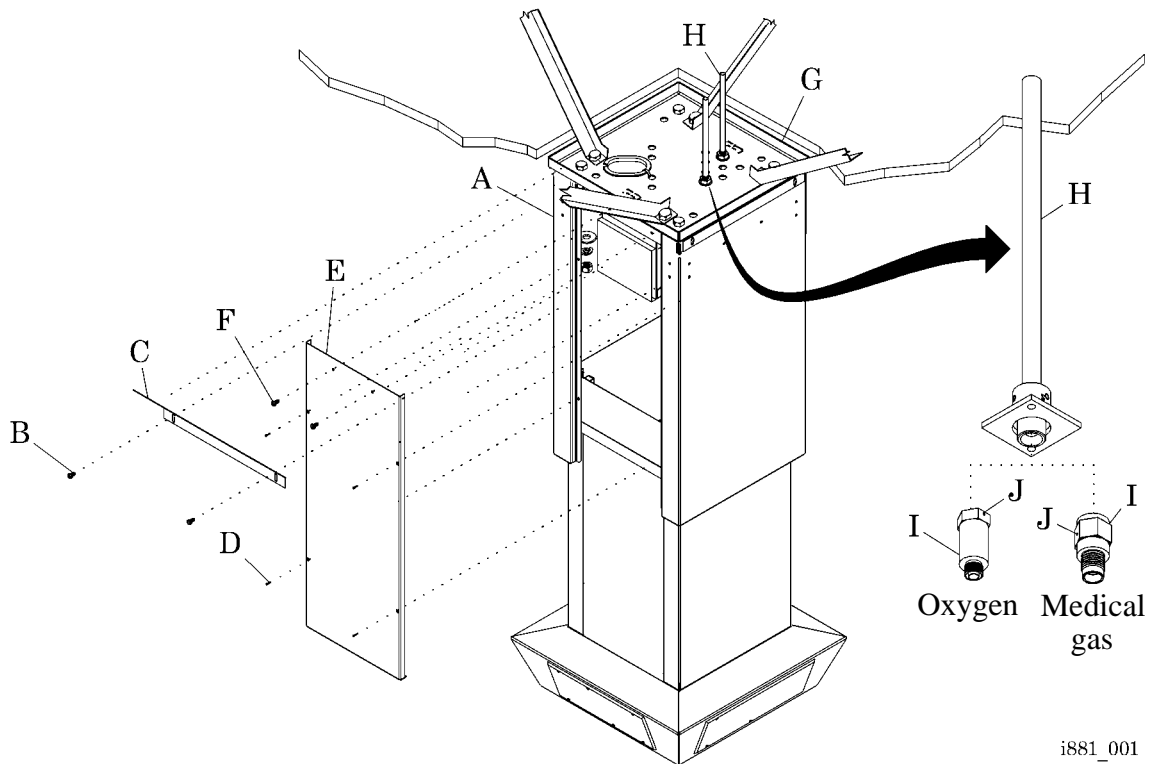
1. Before turning off medical gas service, make sure no patients will be affected.
2. Turn off all medical gas services to the EpiCare® Ceiling Column, and relieve the pressure from the outlets.

1. Allen™ is a trademark of Industrial Fasteners, Inc.

2. EpiCare® is a registered trademark of Hill-Rom Services, Inc.

3. Extend the ceiling column (A) to its lowest position (see figure 1 on page 2).

Figure 1. EpiCare® Ceiling Column



4. Remove the two screws (B) that attach the ceiling trim (C) to the ceiling column (A).
5. Remove the ceiling trim (C) from the ceiling column (A).
6. Remove the four screws (D) that attach the access panel (E) to the ceiling column (A).



WARNING:

Make sure the access panel does not fall from the ceiling column. Personal injury or equipment damage could occur.

7. Using care not to let the access panel (E) fall, remove the two screws (F) that attach the top of the access panel (E) to the ceiling column (A).



WARNING:

The edges of the access panel may be sharp. Use caution when handling the access panel. Failure to do so could result in personal injury.

8. Using caution when handling the edges of the access panel (E), remove the access panel (E) from the ceiling column (A).



WARNING:

Some edges in the ceiling column may be sharp. Use caution when working inside the ceiling column. Failure to do so could result in personal injury.



WARNING:

Do not operate the ceiling column when the access panel is removed or while working in the ceiling column. Personal injury or equipment damage could occur.

9. Make sure no one operates the ceiling column (A) while the access panel (E) is removed.
10. At the rough-in plate (G), make sure the gas types and quantities are correct.
11. At each gas riser (H), do as follows:
 - a. Note the routing of the gas hoses, and disconnect the gas hose from the gas riser (H).
 - b. Visually examine the gas riser (H). Make sure it is free from dirt and contamination and does not already have an internal demand (check) valve.
 - c. If the gas riser (H) **does** have an internal check valve, go to step g.
or
If the gas riser (H) does **not** have an internal check valve, continue to step d.



CAUTION:

When removing the plastic cap, make sure not to lose the internal spring and poppet from the demand valve adapter. Equipment damage could occur.

- d. Carefully, so as not to lose the internal spring and poppet from the demand valve adapter (I), remove the plastic cap from the demand valve adapter (I) to be installed.
- e. Screw the demand valve adapter (I) onto the gas riser (H) by hand until it stops completely.

NOTE:

Some resistance may occur as the male end of the gas riser passes through the seal within the demand valve adapter.

- f. Use the 1/16" Allen™¹ wrench to tighten the two setscrews (J) on the demand valve adapter (I).

1. Allen™ is a trademark of Industrial Fasteners, Inc.



WARNING:

Make sure the correct gas hose is connected to the demand valve adapter. Failure to connect the correct gas hose to the demand valve adapter could result in patient injury or equipment damage.

- g. Refer to the color-coded gas hose, and connect and tighten the correct gas hose to the demand valve adapter (I). Make sure the gas hoses are routed correctly.

NOTE:

The type of medical gas of the demand valve adapter is stamped on the demand valve adapter at the gas connection.

- 12. Turn on the medical gas services to the EpiCare® Ceiling Column.
- 13. Examine the gas riser (H) for leaks, and make sure the gas service, flow, and pressure are correct at the gas outlet.



WARNING:

Do **not** overtighten the screws that attach the access panel to the ceiling column. Equipment damage could occur.

- 14. Install the six screws (D) and (F) to attach the access panel (E) to the ceiling column (A). Do **not** overtighten the six screws (D) and (F).
- 15. Install the two screws (B) to attach the ceiling trim (C) to the ceiling column (A).
- 16. Do the “Function Checks” to make sure the EpiCare® Ceiling Column operates correctly. Refer to the *EpiCare® Ceiling Column Service Manual (man134)*.