



**Hillrom™**



## TS7500 System Table

Sophisticated Customization  
for Every Procedure

# IMAGING FLEXIBILITY, EFFICIENCY AND SAFETY - IT'S ALL ON THE TABLE

From fixed hybrid to mobile CT, interventional imaging surgical suites are vital for complex, image-guided procedures. But the specificity and inflexibility of the table can leave ORs sitting idle. When efficiency and adaptability are paramount for successful throughput, optimizing your interventional imaging ORs for multidisciplinary use is vital.

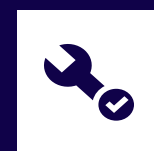
The TS7500 OR System Table was designed with the flexibility and connectivity needed for complex positioning in a hybrid OR, plus the procedural versatility for various room applications – even when imaging is not required. Our highly customizable table provides standardization across ORs with multiple columns and interchangeable tabletops for your unique surgical needs.

And the TS7500 Table integrates seamlessly with imaging equipment developed through our strategic partnerships with other industry leaders.

The result is an innovative solution that makes the most of your investment, helping to ensure your OR is always being utilized, now and in the future.

## One Platform for Multiple Procedures

The TS7500 System Table is reliable, future-proof and safe with interchangeable tabletops that can be easily adapted for different settings and procedures, enabling increased intraoperative efficiency and productivity. These functionalities and the table's capability for multidisciplinary room use allow your surgical space to flex from a Hybrid OR to general surgery and beyond.



### CUSTOMIZABLE

Tailor your ORs with multiple columns and tabletops for various clinical procedures and needs from general to spine, neuro, and cardiovascular specialties.



### VERSATILE

Suitable for a wide variety of disciplines and applications to safely and easily flex room use and scheduling - so individual rooms can support more cases and procedure types.



### EFFICIENT

From common user interfaces across our table portfolio, to interchangeable tabletops, to stored memory positions and a power shuttle that allows for quick tabletop transfer, you can achieve the smart and efficient workflows necessary to keep your OR running smoothly.



### INTUITIVE

The table features lightweight components, a self-aligning hook coupler system and partner integrations that allow table control from multiple user interfaces for an enhanced workflow.



### SAFE

With overload protection, collision monitoring, powered patient transport for easy maneuverability and the ability to accommodate high and low positions for surgeon height, the TS7500 System Table is designed with the safety of the patient and user in mind.



The TS7500 System Table integration interface allows for communication with multiple imaging partners.

## INNOVATION THROUGH EXCLUSIVE PARTNERSHIPS

When a leading-edge interventional imaging system works side-by-side with a leading-edge OR table, your medical teams benefit from excellent flexibility and real-time visualization at the point of care.

We partner with other surgical leaders to create multi-functional spaces that help you connect diagnosis, treatment and complex surgeries – without leaving the operating room.

### Meet Our Partners.

Siemens	IMRIS
Philips	Brainlab
Stryker	

## Hybrid Operating Room Solutions

**IMPROVE PATIENT SAFETY AND STREAMLINE CLINICAL WORKFLOWS — ALL IN A SINGLE ENVIRONMENT.**

From angiography and MRI to CT, we have what you need for every type of imaging modality — and we have the expertise to help you optimize your space.

### HYBRID MRI IMAGING

With the MR conditional tabletop and column, flexible positioning with interchangeable tabletops and full integration with our partner portfolio and other MR-conditional products, you can get the visibility you need without risking patient safety through difficult transfers.

### HYBRID CT IMAGING

Get the 3D image information you need — when you need it - with optimized imaging to protect your patients and streamline your workflows and intraoperative CT imaging that doesn't compromise patient safety.

### HYBRID ANGIOGRAPHY IMAGING

Be confident in your catheter guidance and needle placement with a flexible isocenter for 3D volume imaging and imaging in complex procedures, synchronized movements between the surgical operating table and angiography system for full flexibility in patient positioning – without compromising the imaging workflow.

### ANGIOGRAPHY-CT IMAGING

More efficiency for more use – that's the vision of an angio or angio-CT hybrid OR. Manage polytraumatic patients in one room, perform complex spine and ablation procedures without moving the patient and perform PAD revascularization with all the tools you need.

## Mobile Hybrid Operating Room Solutions

**INCREASE OPERATING ROOM EFFICIENCY WITH MOBILE SOLUTIONS THAT GO WHERE YOU NEED THEM.**

We combine the TS7500 System Table with flexible mobile X-ray and CT imaging devices from our partners to help create an ideal workflow in intraoperative imaging. With our mobile hybrid operating room solutions, you can perform imaging and surgical procedures in any suitable room, avoid construction costs associated with larger dedicated hybrid operating rooms and easily transport all devices, reducing complexity for staff.

# WHAT DOES HILLROM BRING TO THE TABLE?



Flex your OR for multidisciplinary use with interchangeable, tabletops that range from general purpose to cardio, neuro, and spine-specific applications to seamless integrations with leaders in hybrid imaging. Plus, you can standardize across surgical suites with multiple columns and tabletops for your OR's unique needs.

## TS7500 WITH UNIVERSAL (U24) TABLETOP

Choose from several positioning options for various applications such as general, neurosurgery, gynecology, urology, traumatology, and orthopedics.

- Versatile, serving all major clinical specialties
- Sliding, radiolucent tabletop for total body, intraoperative imaging
- High weight capacity with built-in overload protection\* for additional safety measures

## TS7500 WITH CARBON FLOATLINE TABLETOP

As the heart of your angiography or angiography-CT hybrid OR, this tabletop provides the same comfort as the traditional interventional tables for use in vascular, cardiovascular and neurovascular cases.

- Performs like traditional interventional tables with a force sensor that provides a familiar experience for surgeons
- 6'10" imaging window for plenty of imaging access
- Fully integrated with Philips and Siemens systems for improved imaging outcomes

## TS7500 WITH CARBON SPINE OR TABLETOP

This traditional spine tabletop, optimized for the hybrid OR, supports the full range of spine surgeries – from the most routine to the most complex so you can feel comfortable that you have what you need for your spine surgery workflow – and more. Compatible with 3D navigation and advanced imaging systems from partners such as Stryker, Philips and Brainlab.

- Open spine frame reduces vena cava compression, minimizes epidural venous bleeding and improves visualization at the surgical site
- High weight capacity
- Large image window for total spine coverage
- Single column design allows for unrestricted scanner access
- Cervical management capability for precise positioning needs

## TS7500 WITH MR NEURO OR TABLETOP INTEGRATED WITH THE IMRIS MR-CONDITIONAL TABLE SYSTEM

Combined with the IMRIS moving MRI magnet, this unique table integration system is designed to give you all the positioning flexibility you need in an MR environment. Safe and effective intraoperative scans when bringing the MRI scanner into the OR replace the need for patient transfers to a shuttle for scans, thus increasing patient safety and enhancing workflow.

- Articulating back joint for operating in semi-seated positions
- Multiple head coil options from NORAS and DORO
- MRI-compatible table and column, the standard for MRI safety
- Integrated exclusively to the IMRIS surgical theater

## TS7500 WITH SQ14 X-TRA TABLETOP

Ideal for neuro and cranial procedures by combining carbon segments affixed to the head and foot end, this tabletop is optimally suited for CT imaging.

- Sliding, fully radiolucent tabletop for total body, intraoperative imaging
- Fix mounted carbon segments on head and foot side meet specific surgical requirements in hybrid OR procedures
- Articulating tabletop for proper patient positioning during spine procedures, laterally for VAT procedures, and seated for cranial or neuro procedures for maximum flexibility

Add the SensorLine package to any TS7500 configuration for additional safety and flexibility.

\*Included with the SensorLine option.

# SAFE POSITIONING FOR EVERY PROCEDURE

Whatever the position, from supine to prone to lateral to lithotomy, the TS7500 System Table provides sophisticated customization that allows you to flex your OR for multidisciplinary use.



The TS7500 System Table allows safe positioning in a variety of procedures, including bariatric due to its weight limit of 880 lb.



**GYNECOLOGY**



**ORTHOPEDICS AND TRAUMA**



**THORACIC SURGERY**



**SPINAL SURGERY**



**PEDIATRIC**



**VASCULAR SURGERY**



**GENERAL SURGERY**



**NEUROVASCULAR**



**NEUROSURGERY**

## Assisted Transfer with Shuttle

Optimize workflow within the OR with the TS7500 System Table. The exchangeable tabletop system enables patient transport within the following areas of the surgical suite:



**TRANSFER AND PREPARATION**

While working in the OR, the anaesthetic can be administered to the patient on the shuttle.



**OPERATING ROOM**

Safe, hygienic and precise transfer in just a few steps.

# Technical Data Specifications

## TS7500 COLUMNS

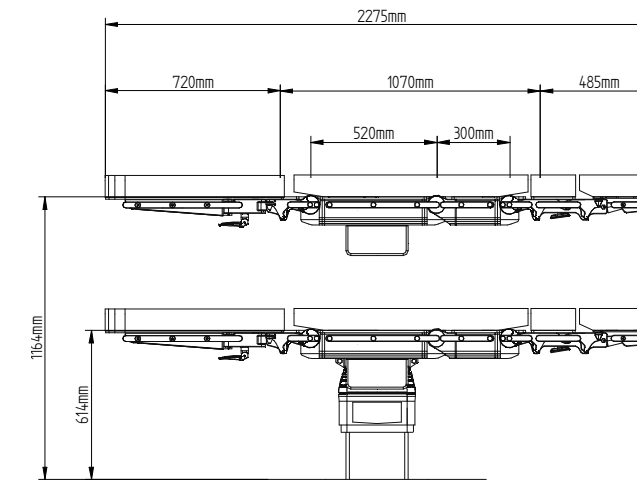
	Stationary Column	Floor-Mounted Column	Mobile Column <sup>1</sup>
Rotation	360° free rotation hybrid column: 350°	350° free rotation hybrid column: 350°	-
Height adjustment	21.65" (550 mm)	21.65" (550 mm)	21.65" (550 mm)
Trendelenburg/reverse	± 45°	± 45°	± 45°
Tilt	± 30°	± 30°	± 30°
Maximum overall load <sup>2</sup>	881 lbs (400 kg)	881 lbs (400 kg)	881 lbs (400 kg)

1. Cleaning shuttle for raising the mobile column enables cleaning of the underside of the base plate.
2. With restrictions, depending on position of patient.

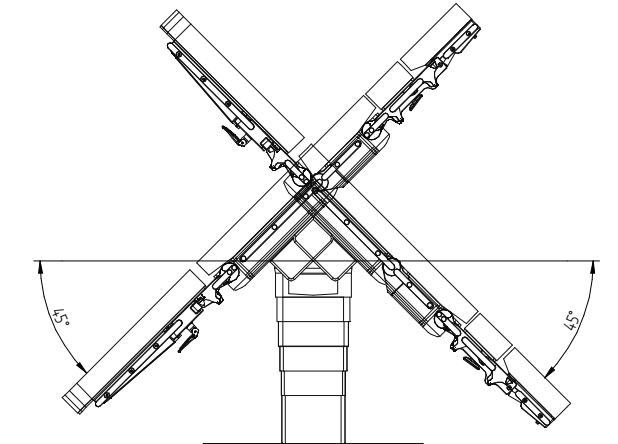
## TS7500 TABLETOPS

	U24 H	Carbon FloatLine	Carbon Spine	Carbon X-TRA	MR Neuro	SQ14 X-TRA
Tabletop dimensions	42.1" x 23.6" (1070 mm x 600 mm)	90.15" x 20.47" (2290 mm x 520 mm) without extended tabletop, without siderails	80.71" x 17.01" (2050 mm x 432 mm) without extended ta- bletop; in zero position	82.1" x 22.0" (2085 mm x 560 mm)	Length: 103.11" (2619 mm)  Width of the back and seat plate without siderails: 17.71" (450 mm)  Width of the back section with siderails: 20.24" (514 mm)  Width of the seat plate with siderails: 21.22" (540 mm)	94.3" x 23.6" (2395 mm x 600 mm)
Adjustment range joint upper back section	+ 90° / - 70°	-	-	-	-	-
Adjustment range joint lower back section	+ 90° / - 55°	-	-	-	+30°	-
Adjustment range joint leg section	+ 90° / - 105°	-	-	-	-	-
Longitudinal slide	15.7" (400 mm)	31.50" (800 mm) (Preferred direction)  25.59" (650 mm) (Not in preferred direction)	31.50" (800 mm) (Preferred direction)  25.59" (650 mm) (Not in preferred direction)	17.91" (455 mm)	18.58" (472 mm)	13.78" (350 mm)
Transverse slide	-	9.84" (250 mm) / 4.92" (125 mm) to the left or right from the zero position	-	6.69" (170 mm) / 3.34" (85 mm) to the left or right from the zero position	9.84" (250 mm) / 4.92" (125 mm) to the left or right from the zero position	6.93" (176 mm)

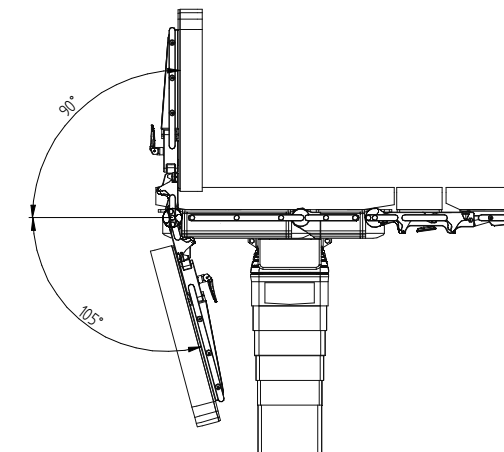
## HEIGHT ADJUSTMENT



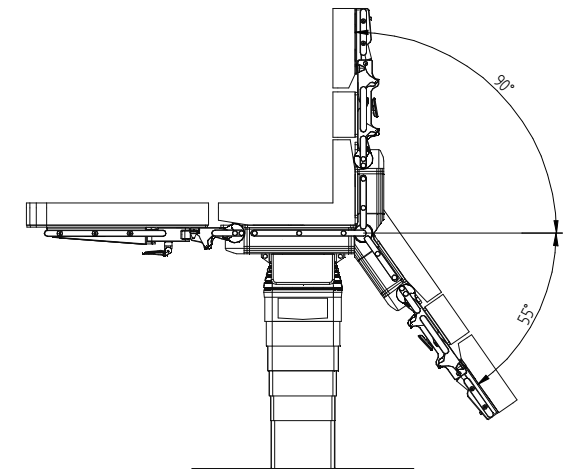
## TRENDELENBURG/ REVERSE TRENDELENBURG



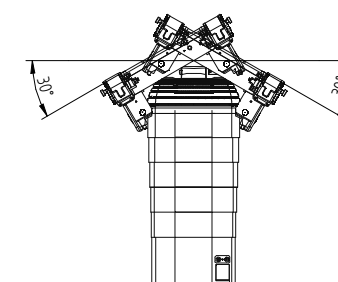
## LEG SECTION ADJUSTMENT



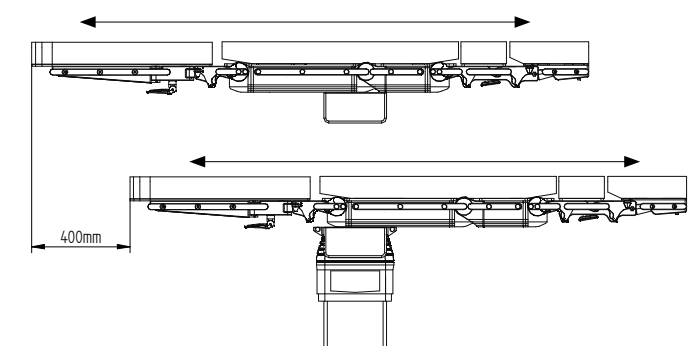
## BACK SECTION ADJUSTMENT



## TILT



## LONGITUDINAL SLIDE



\*Drawings feature Mobile OR table column with U24H tabletop

## COMPREHENSIVE SUPPORT SERVICES

Discover all the ways Hillrom Services can support you — so you can support your patients.

### CONSTRUCTION SOLUTIONS

Building a new surgical suite or upgrading your healthcare environment? Turn to the Hillrom Construction Solutions team to help you deliver on clinical, design and financial objectives throughout the planning and installation process.

### HILLROM™ FINANCIAL SERVICES

The Hillrom Financial Services team of experts will work closely with your organization to structure financing solutions that provide the flexibility you seek on payment terms that meet your needs and cash flow demands, so you can get the equipment and technology you — and your patients — need.

### SMARTCARE™ SERVICES

Our team is trained to handle anything from the smallest repairs to large-scale service projects. And at more than 1,000 strong, our vast network of service technicians is ready to help—even in a hurry.

Sophisticated customization starts with setting the right table. Learn more about the TS7500 System Table at [hillrom.com](https://hillrom.com).



**Hillrom™**

### ABOUT HILLROM

Hillrom is a global medical technology leader whose 10,000 employees have a single purpose: enhancing outcomes for patients and their caregivers by advancing connected care. Around the world, our innovations touch over 7 million patients each day. They help enable earlier diagnosis and treatment, optimize surgical efficiency and accelerate patient recovery while simplifying clinical communication and shifting care closer to home. We make these outcomes possible through connected smart beds, patient lifts, patient assessment and monitoring technologies, caregiver collaboration tools, respiratory care devices, advanced operating room equipment and more, delivering actionable, real-time insights at the point of care. Learn more at [hillrom.com](https://hillrom.com).

For more information, please contact your local Hillrom sales representative.

[hillrom.com](https://hillrom.com)

Hill-Rom reserves the right to make changes without notice in design, specifications and models. The only warranty Hill-Rom makes is the express written warranty extended on the sale or rental of its products.

© 2022 Hill-Rom Services, Inc. ALL RIGHTS RESERVED. APR53703 rev 2 09-MAR-2022 ENG – US